

AJ-300 Recorder/Recording Controller

Introduction

The AJ-300 family of recorders and recording controllers is designed specifically for sanitary fluid processing applications. Available in single or dual pen versions, these units record on the largest charts in the industry for maximum resolution and readability, easily meeting all health-code requirements. Housed in a NEMA 4X enclosure, the unit withstands high humidity environments and frequent "wash-downs". The case is designed for surface or panel mounting.

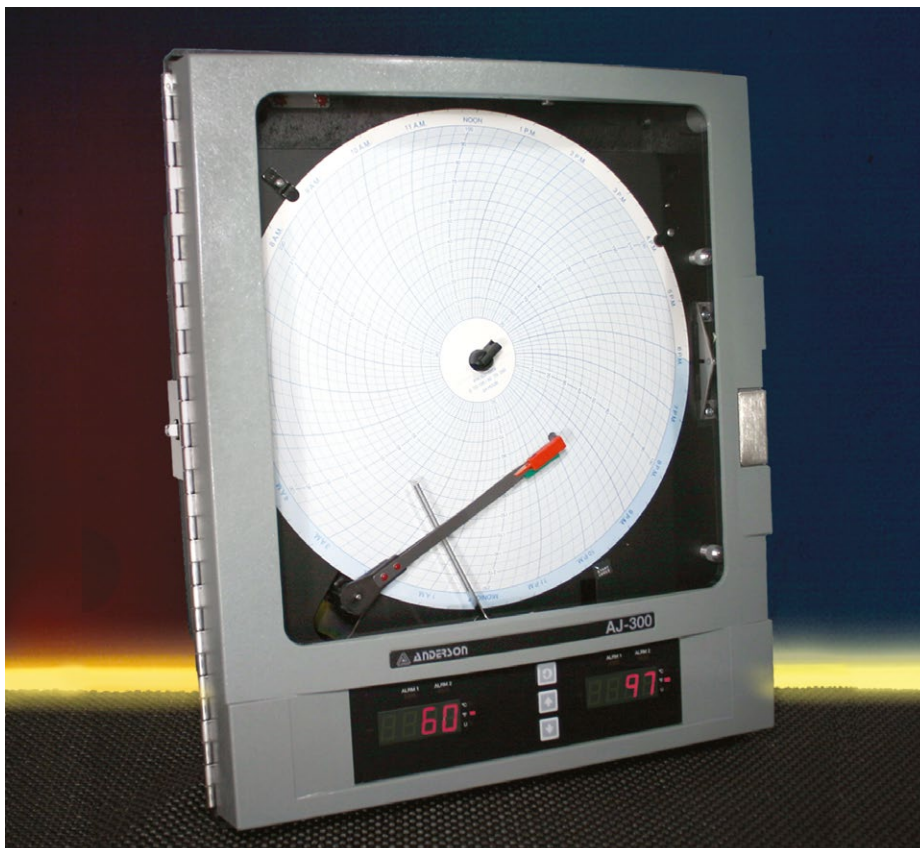
Universal inputs are factory or field programmable via the front keypad using a user-friendly menu. Relay and 4-20mA outputs are modular for maximum cost effectiveness. A 24Vdc loop supply is available which powers one or two transmitters. Of course, the 4-20mA outputs are fully isolated to insure freedom from ground loop problems when interfacing with additional instrumentation.

Either or both pens can be specified with full PID control including auto/manual control, and remote setpoint capability.

For virtually any one or two pen application, the AJ-300 provides the optimum solution. Combined with Anderson-Negele's sanitary sensors and applications expertise, it's the only solution you'll need.

Features

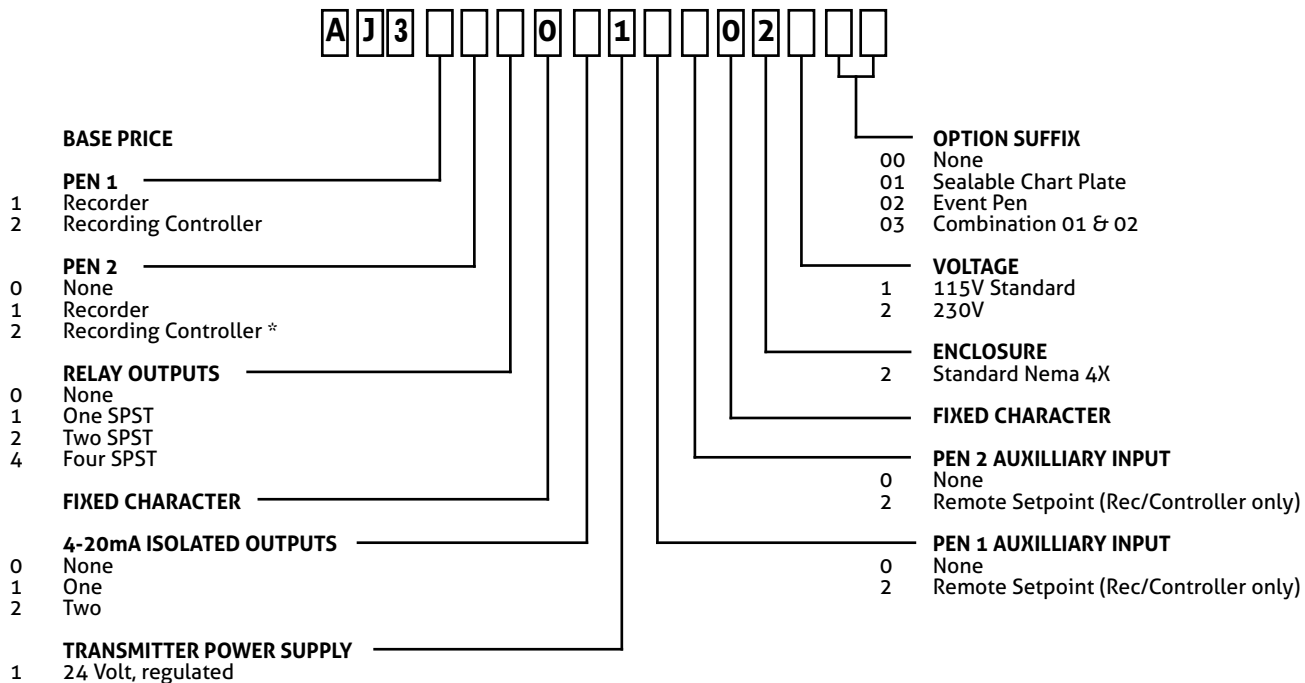
- 12" chart for maximum readability and accuracy
- Nema 4X Case withstands repeated washdowns, high humidity
- Modular relay and 4-20mA output options
- Universal, field selectable input type
- Simple Keypad Programming
- 3 Year Warranty



Specifications

| | |
|---|--|
| Ambient Temperature: 0-55°C (32° to 131°F) (operating) -40 to 65°C (-40° to 149°F)(storage) | Chart Rotation: 0.1 to 999.9 hours |
| Humidity: 0-100% RH, non-condensing | Displays: .56" high LED's; 1 per pen |
| Vibration: 0.5 Hz to 100 Hz at 0.2 G | Relay Outputs: Up to four outputs (2 per pen max.) SPST, 5 amps at 115 VAC, resistive. |
| Voltage: 115 VAC standard, 115/230 VAC switch selectable option | Current Outputs: Up to (2) 4-20 mA isolated outputs; 0.25% of span accuracy; 650 ohms max. loop resistance. |
| Frequency: 50/60 Hz | Transmitter Power Supply: 24 VDC, 40 mA minimum, can drive one or two inputs. |
| Power: 25 VA max. | Event Pen: Optional, 110 Volt, externally triggered. Internal trigger via one optional relay output. |
| Case/Cover Material: Foam injected Noryl, Lexan window | Proportional Band: 1 to 3000 units |
| Mounting: Wall/Panel standard; optional pipe mount | Manual Reset: -1500 to 1500 units |
| Panel Cut-out: 12.7" X 12.7" | Auto Reset (Integral): 0.0 to 100.0 repeats/minute |
| Overall dimensions: 16.77" H X 14.12" W X 5.25" Panel depth (2.5" panel protrusion) | Rate (Derivative): 0.0 to 10.0 minutes |
| Weight: 20 lbs. max. | Control Action: Field selectable, direct or reverse |
| Agency Approvals: UL/CUL listed | Anti-Reset Wind-Up: Integral disabled when process is outside proportional band. |
| Enclosure Rating: NEMA 4X | Auto/Manual: "Bumpless" Transfer |
| Inputs: Programmable for 100 ohm, 3-wire RTD; 4-20mA; 0-5 Volt; 1-5 Volt; and J,K,E,T,R,S,B, and N thermocouples | Warranty: 3 years |
| Pen Type: Disposable felt-tip pens #1 red, #2 green | |
| Recording Accuracy: 0.5% of chart span | |

Order Information



* Pen 2 available as recording controller, only if Pen 1 is recording controller.