

## Model LMA

### Lightning and Secondary Surge Protection



#### Powerful Protection

- Lightning and secondary surges
- Nanosecond bipolar response
- Protect both signal and power lines
- Available for AC or DC

#### Enhances System Integrity

- Reduces downtime of equipment
- Maintenance Free

#### Unobtrusive

- Small compact size
- Easy to install

#### Designed for Well Watcher System

- Model CDM Controller/Meter
- 750 Series Submersible Transmitters
- New or existing systems
- Suitable for any other system where protection is needed

#### Description

Lightening protection units are available to help protect your AMETEK Drexelbrook Level Measurement System from unexpected lightning and secondary surges. These low cost lightning protection units are easy to install, are maintenance-free and respond in less than one nanosecond. When placed at the meter and the transmitter, they defend against powerful surges on both the signal and power lines. If a surge should occur, the lightning protection unit will clamp the circuit, preventing excessive voltage from damaging the equipment. This saves you replacement and downtime costs. A full range of models are available to meet your exact protection requirements. Consult the factory for further details.

#### Ordering Information

**Part Number LM912**

Used in the transmitter excitation/signal lines to protect for distances of less than 100 feet at 30 Vdc.

**Part Number LMA918**

Used in the 115 Vac power input to protect the meter.

**Part Number LM919**

Used in the 230 Vac power input to protect the meter.

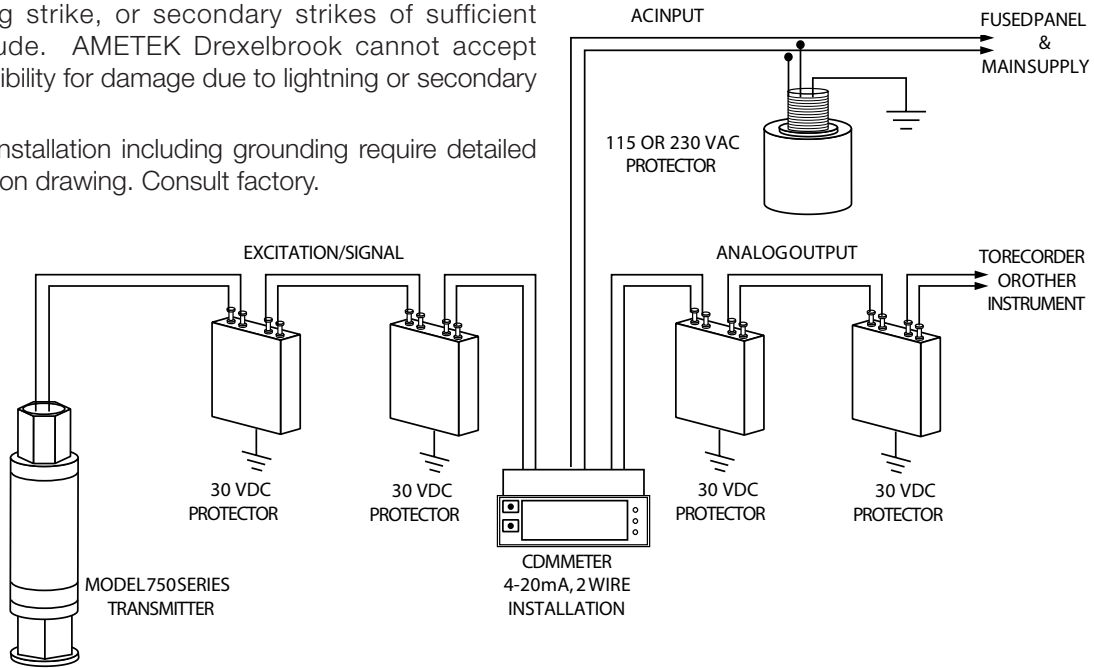


# Continuous Level Measurement

## Model LMA

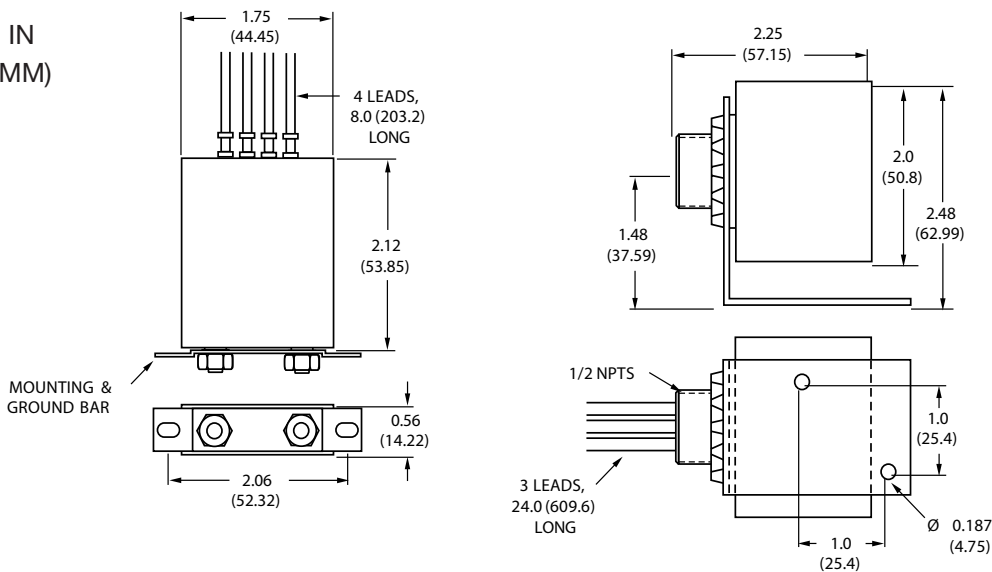
### Installation Concept

1. Lightning protection devices should be placed as close to the instrument as possible.
2. If the distance between the meter and transmitter, or the meter and recorder is less than 100 ft., only one protector per line may be used.
3. This or any installation cannot protect against a direct lightning strike, or secondary strikes of sufficient magnitude. AMETEK Drexelbrook cannot accept responsibility for damage due to lightning or secondary surges.
4. Proper installation including grounding require detailed installation drawing. Consult factory.



### Dimensions

IN  
(MM)



**AMETEK® DREXELBROOK®**

205 Keith Valley Road, Horsham, PA 19044 U.S.A.  
Tel: 215-674-1234 Fax: 215 674-2731  
Email: [drexelbrook.info@ametek.com](mailto:drexelbrook.info@ametek.com)  
Web: [www.drexelbrook.com](http://www.drexelbrook.com)