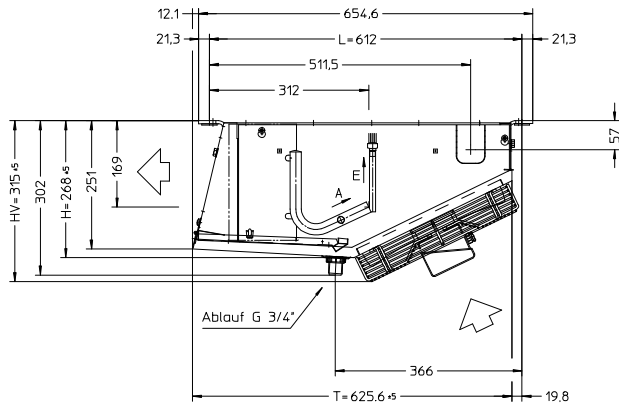


Zusammenstellung

B.S

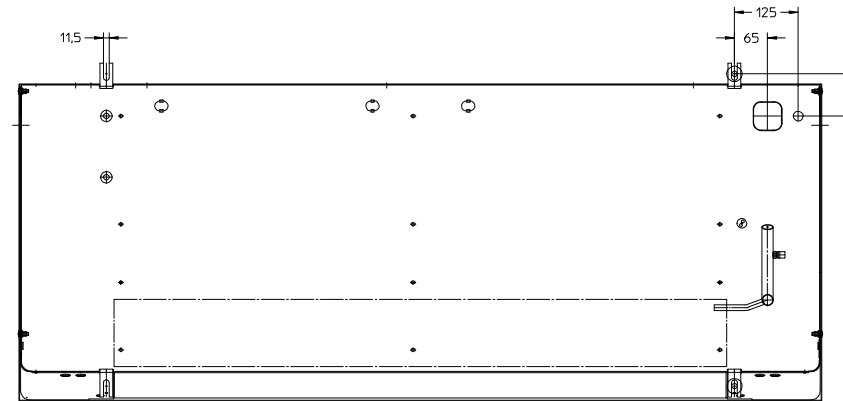
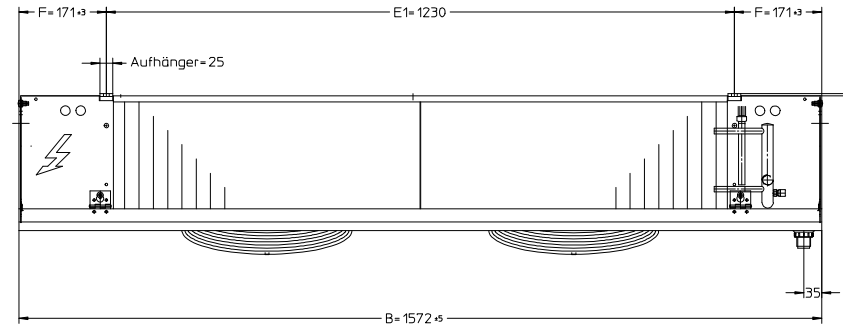
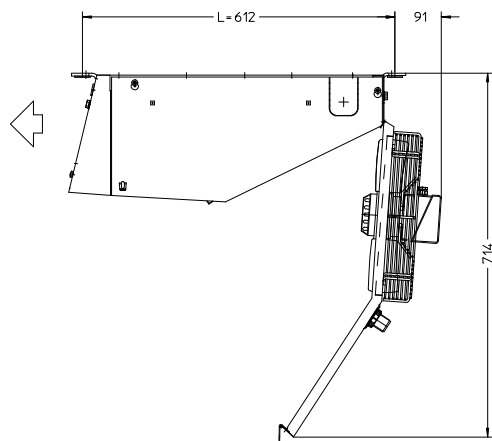
DFA 062 D compact

A.S



E (Inlet) = $\varnothing 12 \times 1.0$ mm

A (Outlet) = $\varnothing 22 \times 1.0$ mm



compact DF

4320.062 DFA 062 D
4321.062 DFAE 062 D