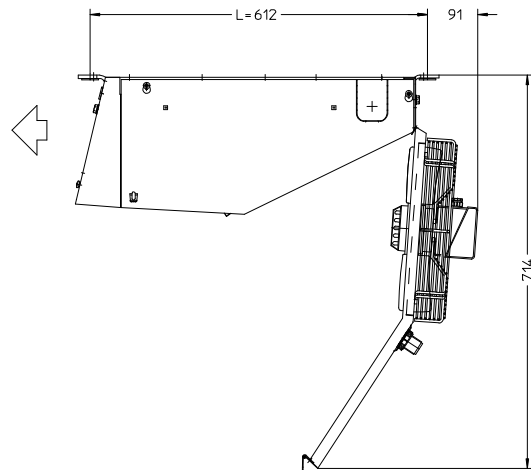


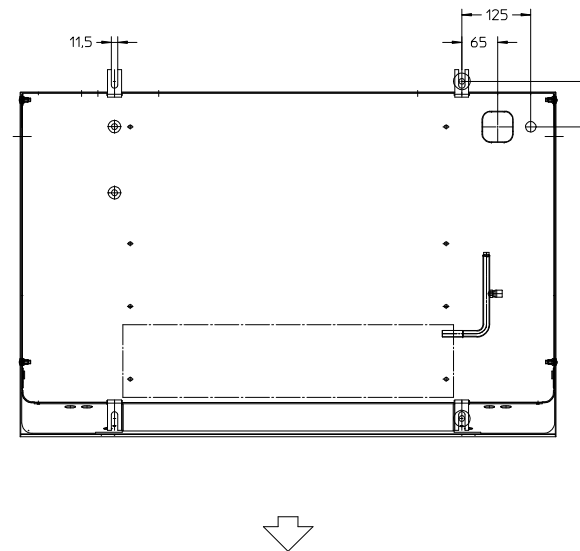
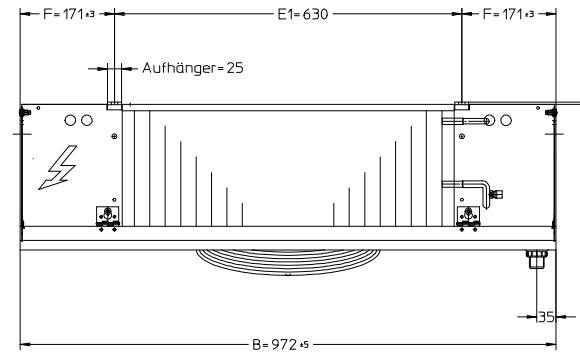
E (Inlet) = $\varnothing 10 \times 1,0$ mm

A (Outlet) = $\varnothing 12 \times 1,0$ mm



Zusammenstellung

B.S DFA 061 D compact A.S



compact

DF

4320.061

DFA 061 D

4321.061

DFAE 061 D