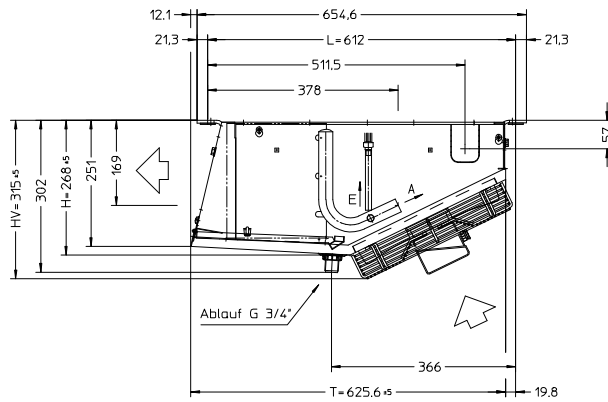


Zusammenstellung

B.S

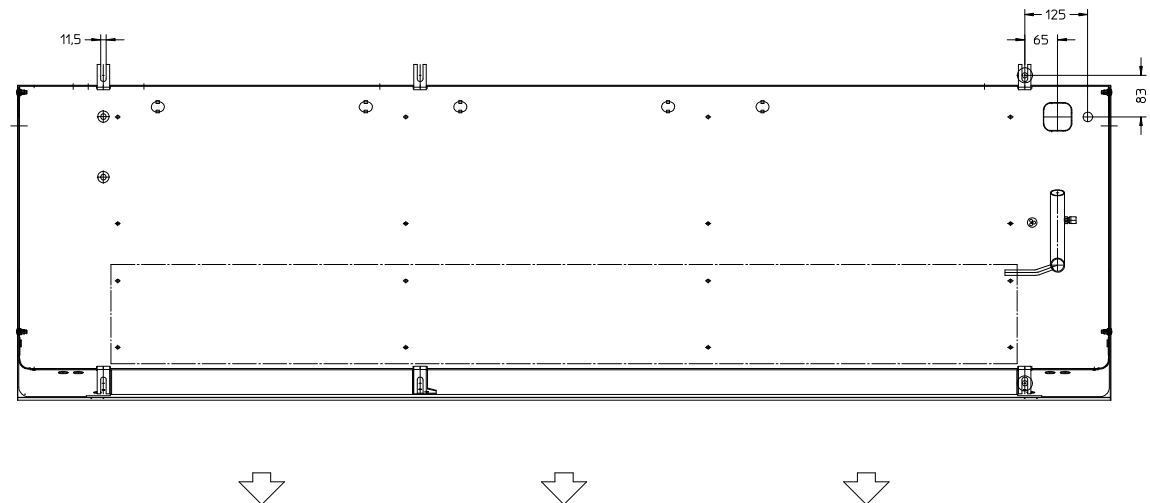
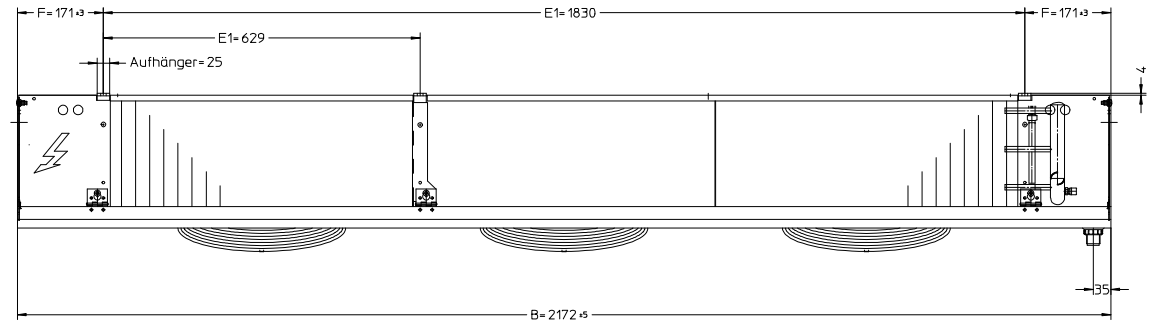
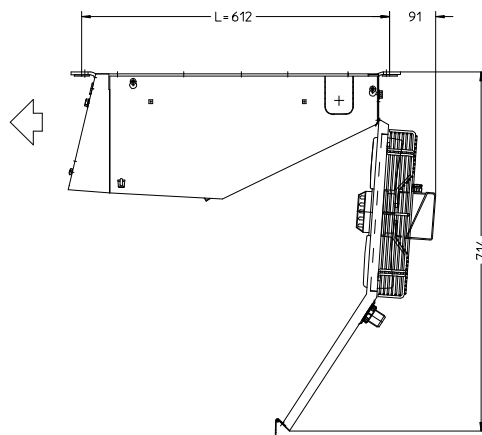
DFA 073 D compact

A.S



E (Inlet) =  $\varnothing 12 \times 1,0$  mm

A (Outlet) =  $\varnothing 28 \times 1,5$  mm



compact DF

4320.073 DFA 073 D  
4321.073 DFAE 073 D