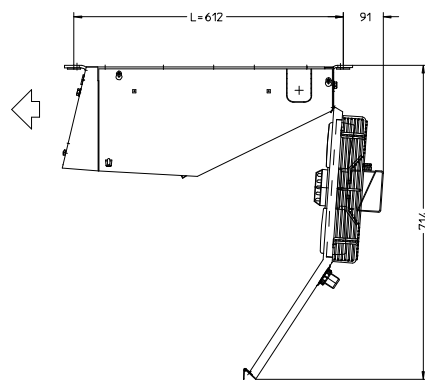


E (Inlet) = $\varnothing 15 \times 1,0$ mm

A (Outlet) = $\varnothing 28 \times 1,5$ mm



compact DF

4320.074 DFA 074 D
4321.074 DFAE 074 D

