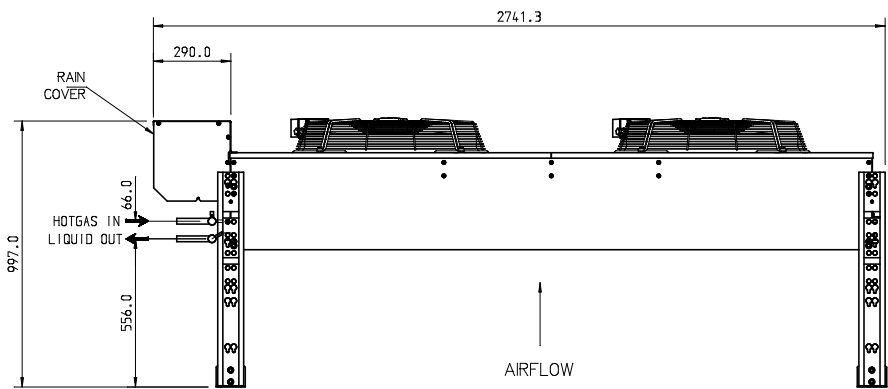
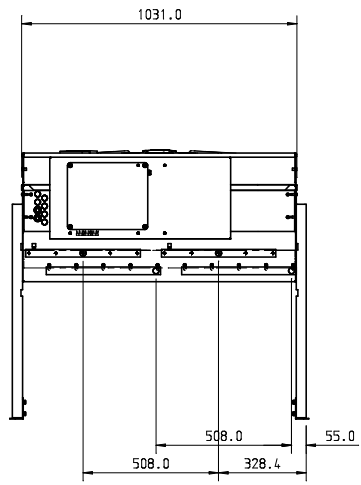
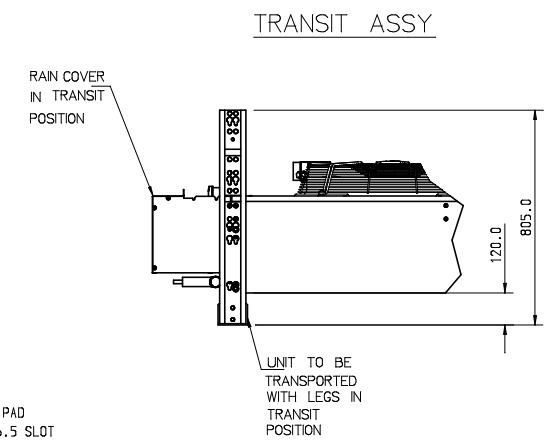
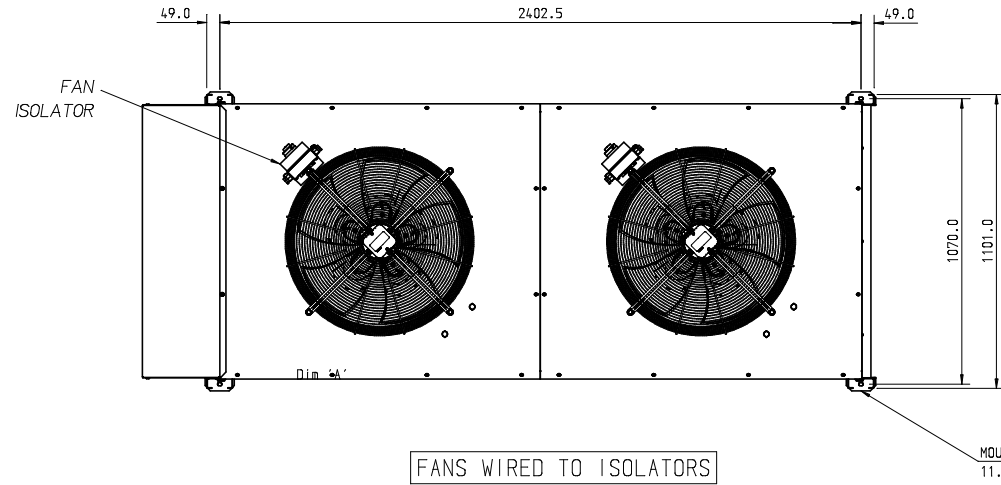


NOTES

1. ALL WEIGHTS ARE CALCULATED THEREFORE ARE APPROXIMATE VALUES
2. COPPER TUBES WITH AV.FINS
3. COIL BLOCK - 2 SECTIONS 5 CIRCUITS/SECTION 7/8" CONNS
4. ELECTRICAL SUPPLY 400V/3PH/50Hz
5. UNPACKED
6. STANDARD JUNCTION BOX



CAUTION DO NOT OPERATE WITHOUT FAN GUARDS

ELECTRICAL SUPPLY
 3 PHASE MOTOR
 380/460-3PH-50Hz
 ISOLATE UNIT FROM
 ELECTRICITY
 SUPPLY BEFORE
 UNDERTAKING
 ANY MAINTAINANCE WORK

MODEL	ROWS	APPROX DRY WEIGHT	AV (Kg)	INLET	OUTLET	COIL VOL.
MEC123	3	193		7/8in	7/8in	23