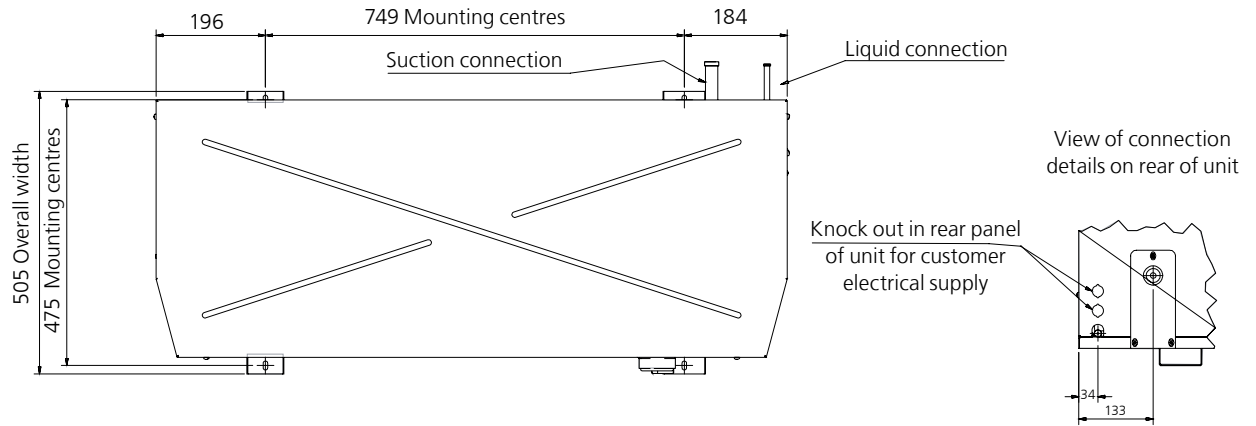
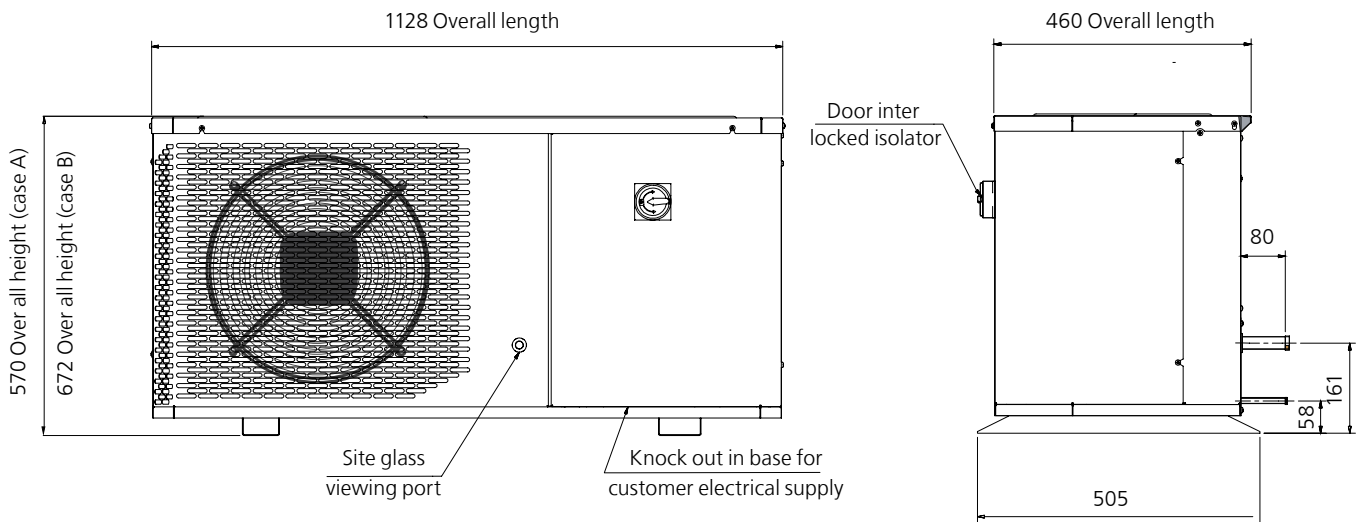


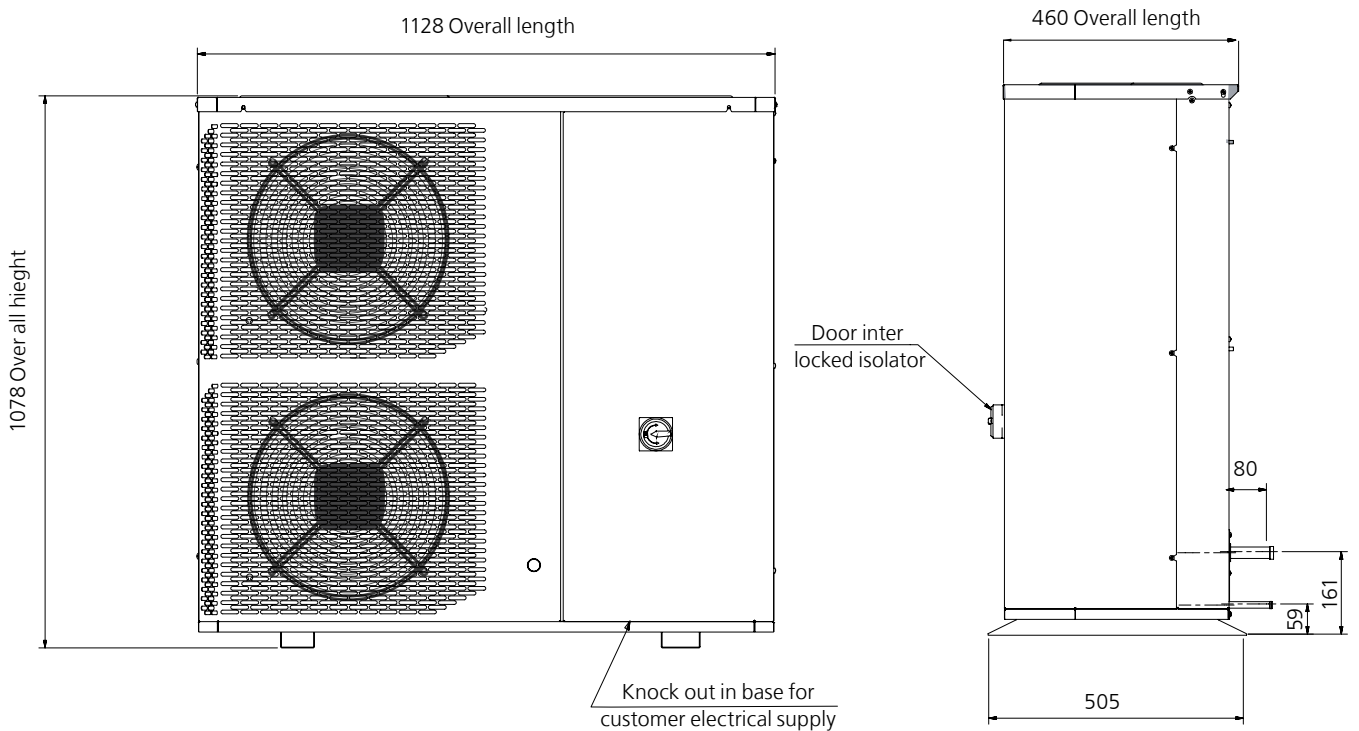
Case A,B & C



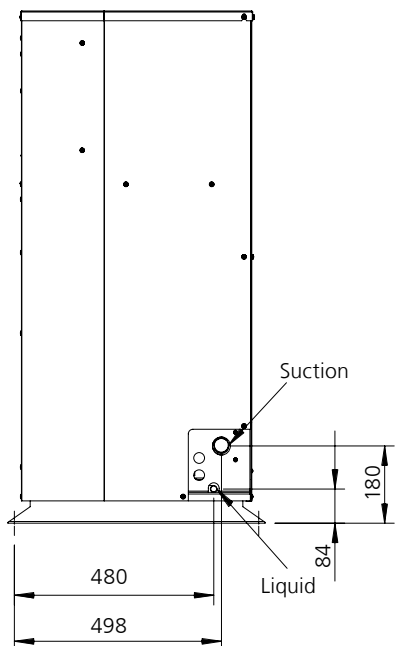
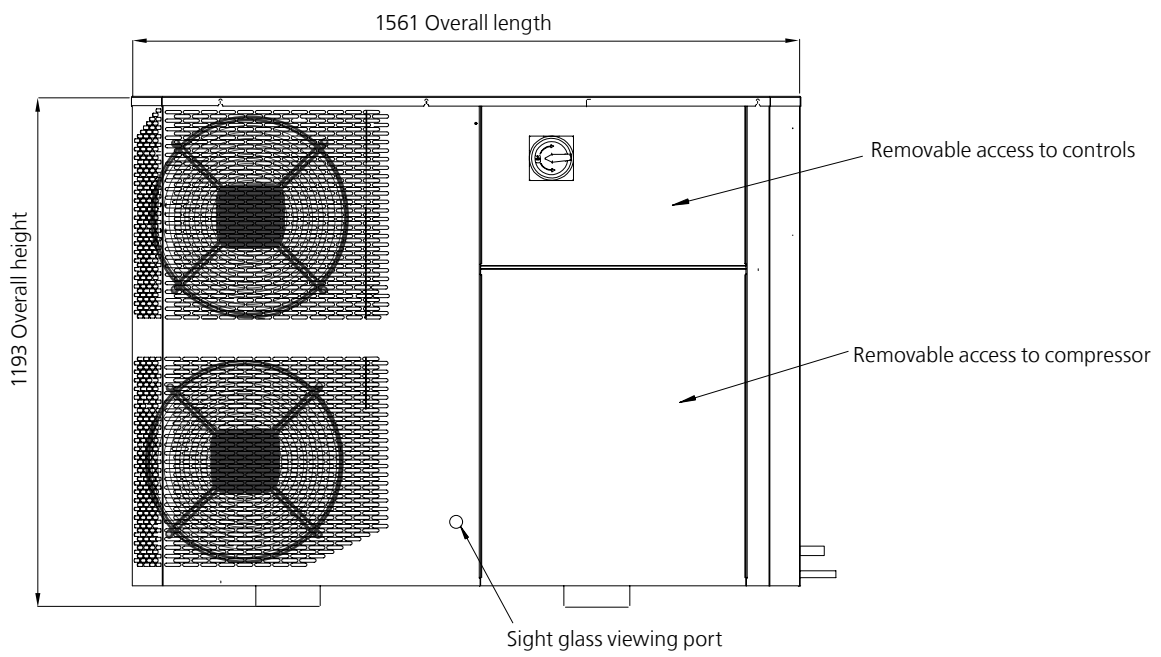
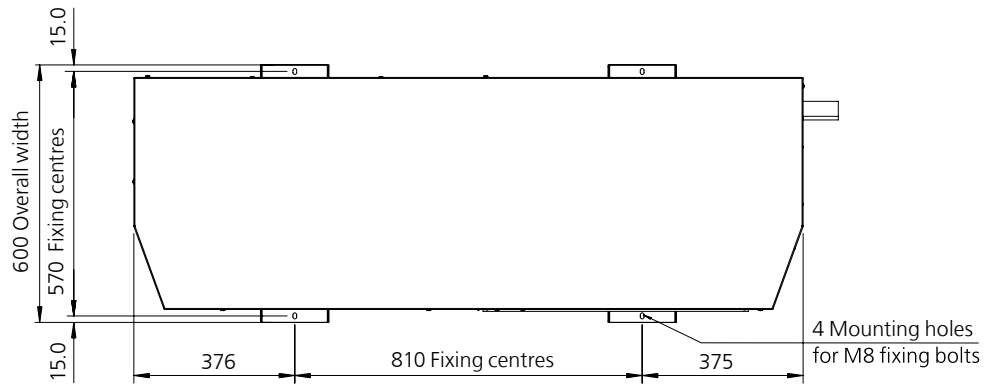
Case A and B Front View and End view



Case C Front View and End view



Case D



Case E

