

## 5.1 Aseptic-Line-Covers

up to 0,49/-1 bar

### Standard design

- Wetted material 1.4571 or 1.4404  
Attachment parts: 1.4301
- Stainless steel toggle with washer
- With Silicone gasket (FDA und USP Cl. VI)
- With zero backlash hinge and handle
- Surface: as machined, unpolished, pickled
- Welding collar acc. customers requirements (standard h = 6 mm)
- Without PED 97/23EC approval



### Options

- Wetted materials 1.4435, 1.4539, 1.4529, 1.4462, HC-22, HC-276, etc.
- Intermediate sizes
- Various gasket qualities (on request)
- Various handles: Stainless steel handle, nuts, etc.
- Various surface qualities (glass-bead blasted, pickled or polished up to  $Ra < 0,2\mu m$ )
- Locking pin in open position
- Springassist (torsion-, disc-, or gasspring)
- Installation of nozzles (sightglasses, TC-ferrules (DIN32676), HZ-Connect, etc.)
- With various limit- or proximity-switches
- Attachment parts in other materials
- Flange and Lid machined to follow the shape of the vessel-wall (on request)
- etc.

### Advantages

- Aseptic sealing
- No welding neck necessary
- EHEDG approved (if internally polished  $Ra < 0,8 \mu m$ )

**zimmerlin**  
EDELSTAHL-TECHNIK

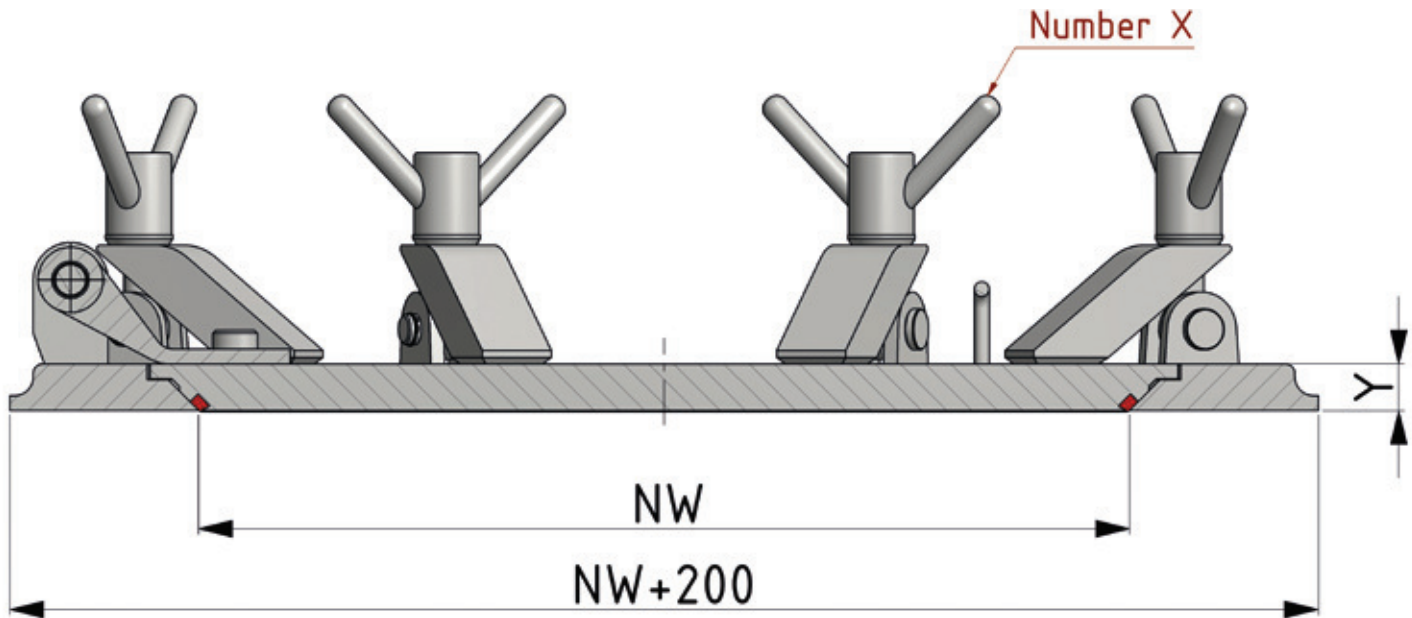


Zimmerlin GmbH  
Edelstahl-Technik  
Frohmatenstr. 19  
D-79268 Bötzingen

Tel. +49(0)7663-6088-0  
Fax +49(0)7663-6088-88  
info@zimmerlin.de  
www.zimmerlin.de



Stand: Juni 2015



Article No.	NW	MAWP [bar]	Max. working temperature [°C]	Number of screws M16	Material	Y	Weight [kg]	Price in EUR
22002008-ASL	200	0,49/-1	200	4	1.4404	16	24	
22502008-ASL	250	0,49/-1	200	4	1.4404	16	28	
23002008-ASL	300	0,49/-1	200	4	1.4404	16	33	
23502008-ASL	350	0,49/-1	200	4	1.4404	16	38	
24002008-ASL	400	0,49/-1	200	4	1.4404	20	53	
24502008-ASL	450	0,49/-1	200	6	1.4404	20	65	
25002008-ASL	500	0,49/-1	200	6	1.4404	20	74	
26002008-ASL	600	0,49/-1	200	6	1.4404	20	92	

Design patented acc. (Patent-Nr. EP 1 688 371 B1)



Stand: Juni 2015

Tel. +49(0)7663-6088-0  
Fax +49(0)7663-6088-88  
info@zimmerlin.de  
www.zimmerlin.de

**Zimmerlin GmbH**  
Edelstahl-Technik  
Frohmatenstr. 19  
D-79268 Bötzingen

