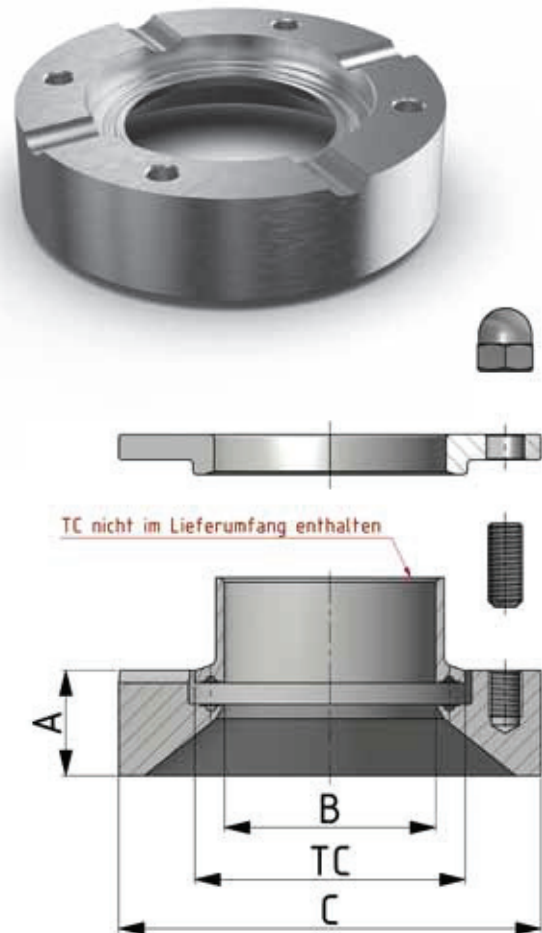


Standard design

- Material of welding flange: 1.4404 or 1.4571
- Material of Half-moon clamps: 1.4301
- Studs A2-50, nuts A2
- Without gasket, without TC-nozzle
- Surface: machined Ra < 1,2 µm

Options

- Materials: 1.4301, 1.4435, (1.4307, 1.4539, 1.4462, C-22, C-276 etc. (on request)
- Studs A4-70, nuts A4



Article No.	NW	A flangeheight [mm]	B pipe ID [mm]	TC [mm]	C Flange OD [mm]	Studs and Nuts	weight [kg]	Price in EUR (loose)	Price in EUR (welded)
220 10-25	DN 10	25	ø 10	34	ø 70	4 Stück M8 x 20	0,8		
220 15-25	DN 15	25	ø 16	34	ø 70	4 Stück M8 x 20	0,8		
220 20-25	DN 20	25	ø 20	34	ø 70	4 Stück M8 x 20	0,8		
220 25-25	DN 25	25	ø 26	50,5	ø 85	4 Stück M8 x 20	1,1		
220 32-25	DN 32	25	ø 32	50,5	ø 85	4 Stück M8 x 20	1,1		
220 40-25	DN 40	25	ø 38	50,5	ø 85	4 Stück M8 x 20	1,1		
220 50-25	DN 50	25	ø 50	64	ø 100	4 Stück M8 x 20	1,5		
220 65-25	DN 65	25	ø 66	91	ø 131	6 Stück M8 x 25	2,7		
220 80-25	DN 80	25	ø 81	106	ø 146	6 Stück M8 x 25	3,3		
220 100-25	DN 100	25	ø 100	119	ø 170	8 Stück M8 x 30	4,5		

Spare parts/Components

Description	DN 10	DN 15	DN 20	DN 25	DN 32	DN 40	DN 50	DN 65	DN 80	DN 100
	Price in EUR	Price in EUR	Price in EUR	Price in EUR	Price in EUR	Price in EUR	Price in EUR	Price in EUR	Price in EUR	Price in EUR
	Article No.	Article No.	Article No.	Article No.	Article No.	Article No.	Article No.	Article No.	Article No.	Article No.
with studs and nuts	222 10-25	222 15-25	222 20-25	222 25-25	222 32-25	222 40-25	222 50-25	222 65-25	222 80-25	222 100-25

