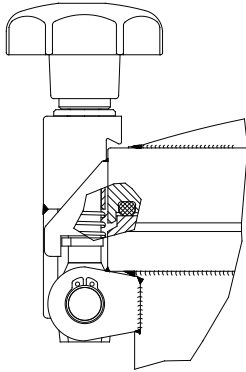
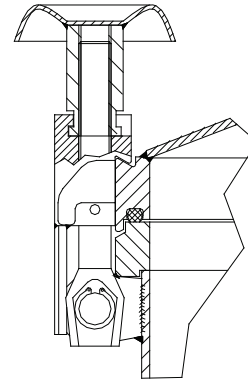


## 8.6 Special equipment



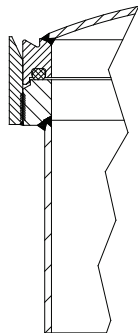
**Safety release system**  
Article No. 2027 AL

Efforts manual pressure release and lifting of the cover. Only when the cover was lifted about 10-15mm, it is possible to swing the screw away.

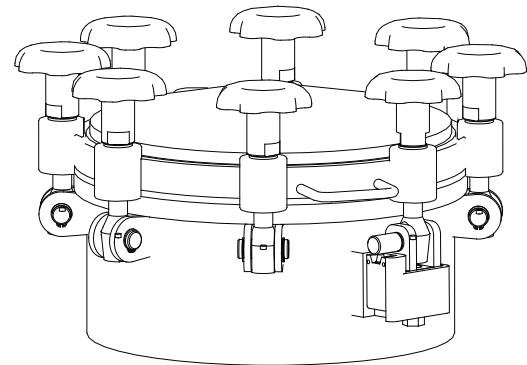


**Pressure release system**  
Article No. 2027 ZL

The pressure release and lifting of the cover happens by opening of the handle. After lifting the cover about 10mm it is possible to swing the screw away.



Wedge for side installation  
Article No. 2026



Screw with safety device  
Article No. 2027SK

Article No.	Description	Price in EUR
2027 AL	Safety release system for pressure cover and 1-bar cover (e.g. for 2210125, 2210135, 2210)	
2027 ZL	Pressure release system for pressure cover and 1-bar cover (e.g. for 2210125, 2210135, 2210)	
2027 SK	Screw with safety device, with limit switch type Stahl 8064	
2026	Wedge for side installation for pressure cover and 1-bar cover	

**zimmerlin**  
EDELSTAHL-TECHNIK



Zimmerlin GmbH  
Edelstahl-Technik  
Frohmatenstr. 19  
D-79268 Bötzingen

Tel. +49(0)7663-6088-0  
Fax +49(0)7663-6088-88  
info@zimmerlin.de  
www.zimmerlin.de

Stand: Juni 2015

