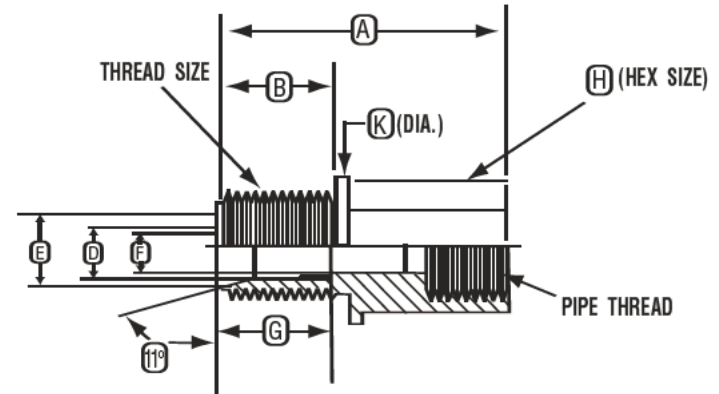


FEMALE CONNECTORS



SPECIFICATIONS

Tube O.D.	Pipe Thd.	Thread	A	B	D +.005/ .010	E	F	G	H	K
			± 1/64	± 1/64						
1/4	1/8	7/16-20	59/64	23/64	.250	.330 - .335	.170	15/32	43/64	25/64
1/4	1/4	7/16-20	1-3/32	3/8	.250	.330 - .335	.170	15/32	51/64	29/32
5/16	1/4	1/2-20	1-7/32	15/32	.312	.380 - .385	.232	31/64	3/4	13/16
3/8	1/4	5/8-20	1-13/64	29/64	.375	.460 - .465	.250	9/16	3/4	13/16
3/8	3/8	5/8-20	1-7/32	15/32	.375	.460 - .465	.250	19/32	15/16	N/A
3/8	1/2	5/8-20	1-17/64	15/32	.375	.460 - .465	.250	19/32	1-1/16	N/A
1/2	3/8	3/4-20	1-9/32	39/64	.500	.590 - .595	.375	11/16	15/16	N/A
1/2	1/2	3/4-20	1-9/32	9/16	.500	.590 - .595	.375	11/16	1-1/16	N/A
5/8	1/2	7/8-20	1-1/2	11/16	.625	.715 - .720	.500	45/64	1-1/16	N/A