

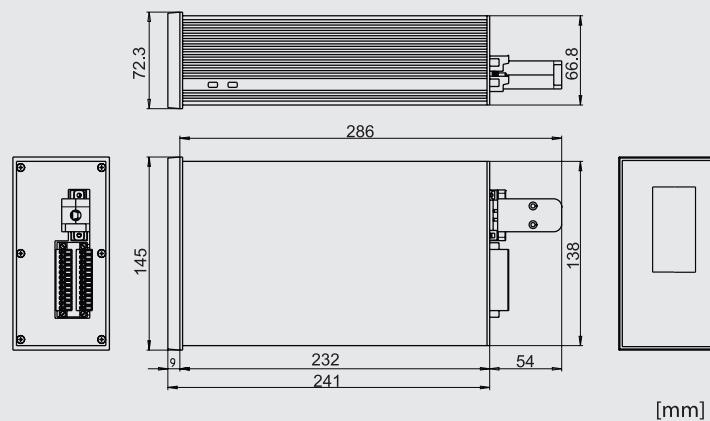


mPDS 1100 Evaluation Unit

The low-priced mPDS 1100 evaluation unit from Anton Paar is designed for standard applications in density and concentration measurement.

General

The Anton Paar mPDS 1100 is a compact, powerful evaluation unit for Anton Paar density- and sound velocity transducers (DPRn/SPRn). mPDS 1100 calculates the density at reference temperature and the concentration in various units for many applications. All common process interfaces are available. The customer-specific configuration allows fast and easy activation.



[mm]

- ▶ Simultaneous display of all relevant data
- ▶ Intuitive use through clearly structured menus
- ▶ Flexible adjustments for up to 32 products:
 - alarm limits
 - adjustments (offsets, gain factor)
 - formula coefficients
- ▶ 2 user levels with password protection
- ▶ Data acquisition and visualization with the DAVIS PC software for WINDOWS™ (optional)

Typical Applications

- ▶ Density, Specific Gravity and API Gravity in chemical and petrochemical industries
- ▶ Concentration of acids, alkalis and other solutions
- ▶ °Brix of soft drinks, juices and sugared beverages
- ▶ Original extract of beer, extract of beer wort
- ▶ Alcohol concentration

Technical Data

Inputs	Connection for a DPR(n) or SPR(n) transducer (optional: DPRn I or SPRn I)	
	1 analog input	4 to 20 mA passive, accuracy 0.1 % (e.g. for CO ₂)
	1 digital input/counter input	Signal frequencies < 100 Hz, e.g. for filler stop
	External product selection	5 bits, 32 products
Outputs	2 analog outputs (for any 2 measuring samples)	4 to 20 mA passive, accuracy 0.1 %
	2 relays for limit monitoring	24 V / 0.7 A
	Computer serial interfaces	RS 232, Profibus DP (optional)
	Display	4 x 20 characters LCD
Power supply	DC 24 V, 200 mA	
Dimensions (W x H x D)	144 x 72 x 300 mm	
	(5.67 x 2.84 x 11.81 inches)	
Panel cut out	139 x 68 mm	
	(5.47 x 2.68 inches)	
Degree of protection	Front IP54	
Weight	approx. 1.5 kg (3.3 lb)	

Your distributor: