

Technical data sheet

Commutator motor FEM 3070 and COMBIFLUX pump FP 314



More than just pumps

Commutator motor FEM 3070



Special features:

- ▶ With mains connection
- ▶ Internal ventilated commutator motor
- ▶ Double insulated - protection class II
- ▶ Two step speed adjustment
- ▶ With overload cut-out switch
- ▶ 230 Volt version VDE-GS approved
- ▶ Ergonomic design handle - one-handed operation

Motor type	Storage of motor	Speed control	Allowed ambient temperature in operation [°C]	Allowed ambient temperature on storage [°C]	Max. viscosity [mPas]	Protection class	Weight [kg]	Protection class
Internally ventilated commutator motor	Ball-bearing	2-steps	-20 to +40	-20 to +60	250	IP24	1,5	II

Nominal voltage [V]	Power frequency [Hz]	Rated power [W]	Type of plug according to norm:	Cable length [m]
240	50	230	Europe: CEE 7 /XVII	5
230	50-60	230	Europe: CEE 7 /XVII Switzerland: Typ 11	5
120	60	230	North America: NEMA 1-15P	5
110	50-60	230	Europe: CEE 7 /XVII	5
100	50-60	230	Japan: JISC 8308, 8358 7A	5

COMBIFLUX pump FP 314



Type	FP 314 PVDF-25/19	FP 314 PP-25/19	FP 314 PP-32/25	FP 314 S-28/25
Type of seal	Sealless			
Immersion length [mm]	500/700/1.000		500/700/1.000/1.200	
Outer Ø [mm]	25		32	28
Connection thread	G 1 A*			G ¾ A
Materials in contact with the medium	PVDF, ETFE, PTFE/carbon, Hastelloy C	PP, ETFE, PTFE/carbon, Hastelloy C		Stainless steel (316 Ti), ETFE, PTFE/carbon
Viscosity max. [mPas]	250			
Temperature of medium max. [°C]	60	45		60
Weight [kg] at a length of 500/700/1.000/1.200 mm	0,3/0,3/0,4	0,3/0,3/0,4	0,3/0,3/0,4/0,6	1,0/1,1/1,5/1,9

*Hose connections DN 13 and DN 19 included

Performance data and dimensions

Commutator motor FEM 3070 and COMBIFLUX pump FP 314

Commutator motor FEM 3070 with COMBIFLUX pump FP 314

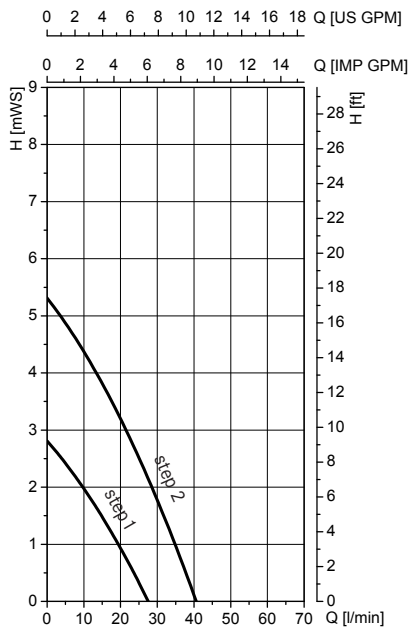
Performance data

Speed	Delivery rate Q max. [l/min]* at:		Delivery head H max. [mWs]** at:	
	step 1	step 2	step 1	step 2
FP 314 PP-25/19 FP 314 PVDF-25/19	27	40	2,8	5,3
FP 314 PP-32/25 FP 314 S-28/25	44	56	4,7	8,5

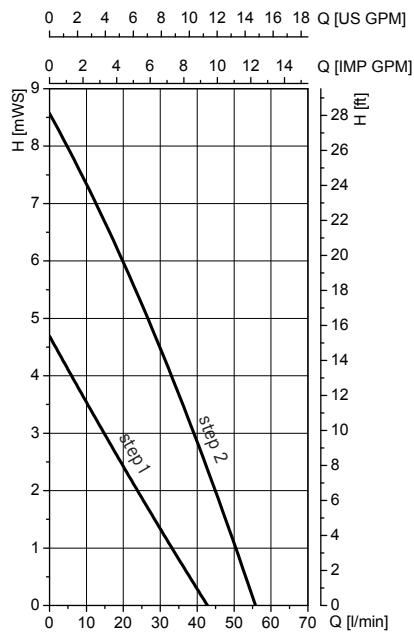
Performance charts*

Commutator motor FEM 3070 with COMBIFLUX pump:

FP 314 **PP-25/19**
FP 314 **PVDF-25/19**



FP 314 **PP-32/25**
FP 314 **S-28/25**

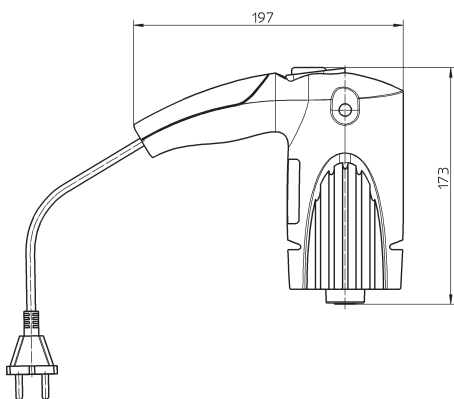


* measured with free outlet, water at 20 °C, values ± 10 %

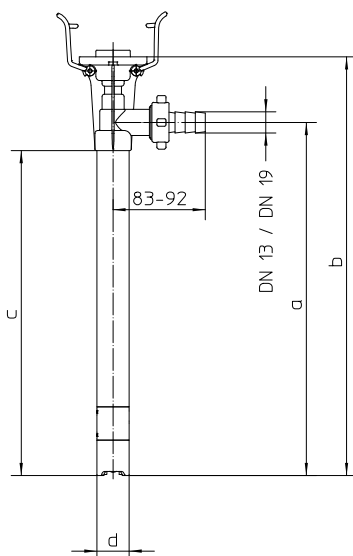
** measured with water at 20 °C

Dimensions [mm]

Commutator motor FEM 3070



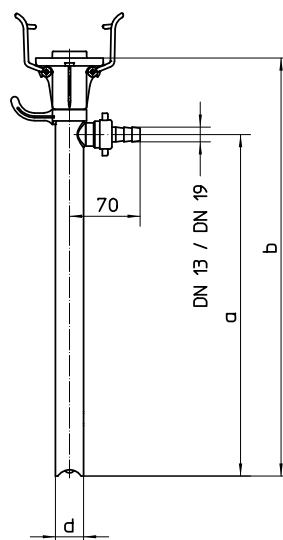
FP 314 PP+PVDF without motor



Immersion length	a	b	c	d	
1.200	1.200	1.538	1.172	Ø 32	
1.000	1.000	1.338	972	Ø 25 Ø 32	
700	700	1.038	672		
500	500	838	472		

Dimensions in mm

FP 314 S without motor



Immersion length	a	b	d	
1.200	1.189	1.538	Ø 28	
1.000	989	1.338		
700	689	1.038		
500	489	838		

Dimensions in mm

Part numbers

Commutator motor FEM 3070 and COMBIFLUX FP 314

Motor FEM 3070

Description	Part no.
FEM 3070 (240 V, 50 Hz)	307 01 001
FEM 3070 (230 V, 50-60 Hz)	307 01 000
FEM 3070 (230 V, 50-60 Hz) (Swiss version)	307 01 005
FEM 3070 (120 V, 60 Hz)	307 01 002
FEM 3070 (110 V, 50-60 Hz)	307 01 003
FEM 3070 (100 V, 50-60 Hz)	307 01 004

COMBIFLUX pump FP 314

Pump type Immersion length [mm]	FP 314 PP-25/19	FP 314 PP-32/25	FP 314 PVDF-25/19	FP 314 S-28/25
	Part no.			
500	314 45 905	314 46 905	314 65 905	314 26 905
700	314 45 907	314 46 907	314 65 907	314 26 907
1.000	314 45 910	314 46 910	314 65 910	314 26 910
1.200	-	314 46 912	-	314 26 912

Other accessories:

We offer the appropriate accessories for the COMBIFLUX, such as: hand nozzles, hoses, compression glands or liquid meters. See our brochure for accessories and the price list for the precise specifications.