

## MIXY™ PLOUGH SHARE MIXER

CREATING A PERFECT MIX IN A VERY SHORT TIME WITHOUT DAMAGING THE INGREDIENTS, EASY CLEAN, HYGIENIC SANITARY DESIGN

### GENERAL SPECIFICATIONS

CONSTRUCTION MATERIAL ▶ STAINLESS STEEL • AISI304 • AISI316L

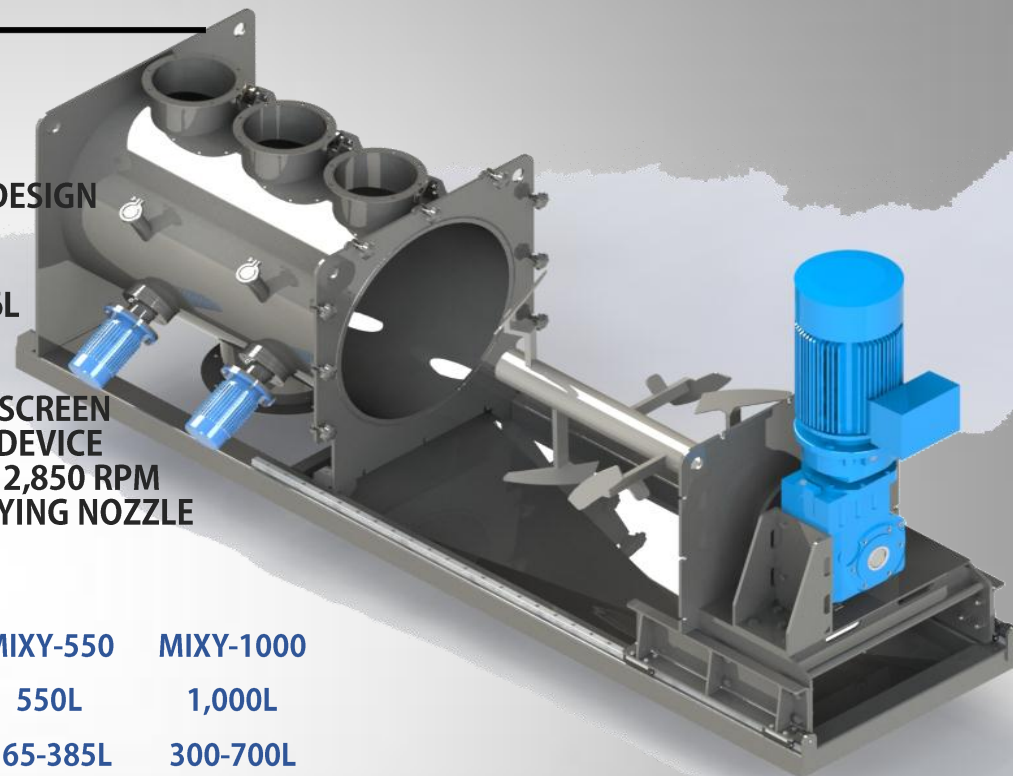
INTERNAL SURFACE ▶ BA MILL FINISHED

EXTERNAL SURFACE ▶ 2B MILL FINISHED

OPERATING ▶ ELECTRICAL - PNEUMATIC CONTROL PANEL TOUCH SCREEN OPERATION TO MANAGED THE MIXING AND SAFETY DEVICE

CHOPPER ▶ STAINLESS STEEL AISI304 WITH MOTOR 1.5KW. SPEED 2,850 RPM

LIQUID INJECTION NOZZLE ▶ STAINLESS STEEL AISI304 WITH SPRAYING NOZZLE



| MODEL                     | MIXY-80        | MIXY-120       | MIXY-300         | MIXY-550          | MIXY-1000       |
|---------------------------|----------------|----------------|------------------|-------------------|-----------------|
| CAPACITY (LTR.)           | 80L            | 120L           | 300L             | 550L              | 1,000L          |
| OPERATION CAPACITY (LTR.) | 24-56L         | 36-84L         | 90-210L          | 165-385L          | 300-700L        |
| GEARED MOTOR              | 154 RPM<br>3KW | 154 RPM<br>3KW | 154 RPM<br>5.5KW | 154 RPM<br>18.5KW | 154 RPM<br>22KW |



### CHOPPER

