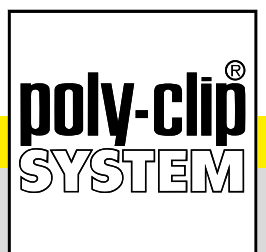


TSCA 160/120

Automatic Sealing/Clipping Machine



innovative · reliable · leading



TSCA 160/120

- Sealing and clipping with one machine
- Fully automatic, self-monitoring processes
- For chubs up to calibres 160/120 mm
- Up to 160/200 cycles per minute

Applications

The TSCA Automatic Sealing/Clipping Machine processes flat film from a roll into a ready-to-fill tube which is securely closed by the integral clipping unit. All commonly used films, coated or uncoated, as well as laminates up to 160 mm in calibre can be processed. The film rolls used can be up to 3,000 metres long. The TSCA 120 handles calibres of 24 to 120 mm at >200 cycles per minute, and the TSCA 160 – calibres of 38 to 160 mm at up to 160 cycles.

Advantages

- A unit that guarantees tight sealing of film and secure clip closure
- Simple machine operation with SAFETY TOUCH – shockproof, 10" large and easy to clean
- SAFETY TOUCH – product parameters can be recalled from the program memory (recipe management)
- Automatic, self-monitoring processes for maximum productivity by recognition of clip size, die, size of separator hole and clip pressure setting
- Sensors monitoring the end of film and of clip supply on the reel
- Very smooth running at high cycle speeds, even during continuous operation
- Lengthwise portioning continuously adjustable
- Short, clean sausage tails due to voiding separator
- Product-specific speed control



- Easy and user-friendly familiarisation, handling, maintenance, training and service
- Easy to clean:
 - closed system
 - only one part product-carrying (stuffing horn)
 - Stainless steel construction, resistance to aggressive cleaning agents
- R-ID clip – tighter clip closure, even up to bacteria-proof, depending on the film
- Processes high-quality clips – certified safe for use with food by SGS INSTITUT FRESENIUS
- Clip and loop manufacture certified in accordance with ISO 22000:2005, which incorporates HACCP requirements
- Extended product shelf life
- Increased hygiene due to the use of flat films instead of watered casings
- Shorter fitting times for a wide variety of pack sizes, thanks to quick-change format set
- Greater flexibility in marking due to in-line printing
- Continuous adjustment of temperature and sealing speed with SAFETY TOUCH during continuous production

Optional equipment

- Automatic looper GSA 20, loop left or right

Automatic sealing process

- Considerable savings due to the use of the more economical flat film instead of shirred casings
 - Continuous production (once-only loading of film instead of reloading of casings up to 100 times)
 - Optimum use of material thanks to minimum film overlap at the seam
 - Minimum film wastage
 - Less storage area required for input stock

Product marking by printing directly onto the film



- Central lubrication, machine cycle-dependent, for maximum reliability and service life
- Pneumatic casing brake
- Centred printed image using print mark control
- Simple and safe marking of batches during production by continuous printing on flat film using an integral printer, e.g. ink jet, hot stamping, thermal transfer
- Strip sealing for handling 2-layer film
- Air-free loose filling of shaped products with overspreading; servo-supported
- Conveyor belts, variants to suit product and roller extension
- Vacuum system for air-free filling of large calibres
- Adhesion point recognition for attached films
- Clip coding
- Single clip feature
- Intelligent Filler Clipper (IFC) Interface upon request

Function and operation

The TSCA consists of a synchronised automatic sealing machine and double-clipper. This provides a continuous production line when a stuffer is used at the front end. Both production processes are operator-friendly and are easily programmable via the central SAFETY TOUCH panel. The PC control allows a very fast and accurate sig-



nal processing. On the SAFETY TOUCH display the diagnostic system provides a direct and clear indication of the machine's operational status as well an analysis of filling and clipping times. A USB port for data import and export comes as standard. Also available as an optional extra is the WS Food Standard interface for operational data acquisition via the customer's own network. The unit is operated via six membrane keys on the control panel. The film roll is placed on a self-tensioning roll carrier. Uniform inlet tension of the film is achieved by the roller guide system. The forming shoulder forms the flat film around

the stuffing horn into an open tube. The tube is then sealed lengthways with minimal overlap by heat sealing. For continuous production an integrated control circuit ensures that the automatic clipper always has sufficient shirred film available.

Combinability

AHL – Automatic hanging-up of looped products

The hot-sealing station of the TSCA provides reliable sealing.



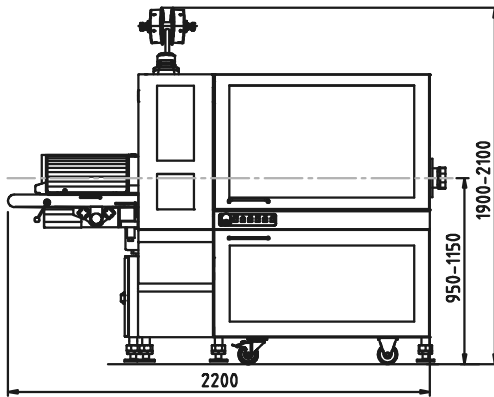
The TSCA SAFETY TOUCH panel: simple and clearly laid out



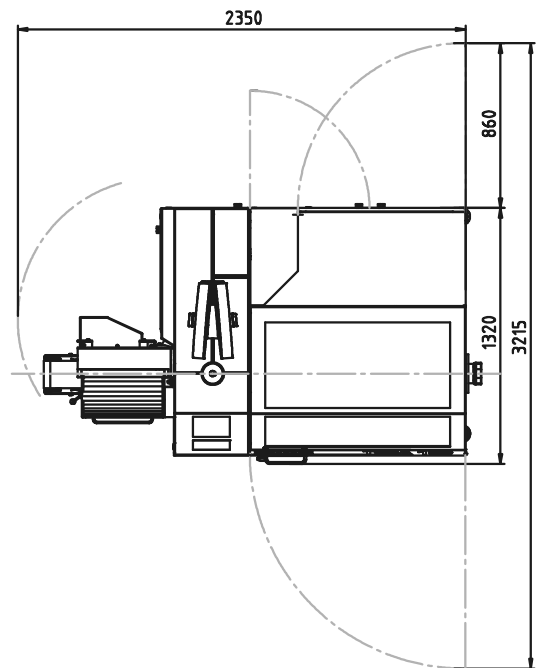
TSCA 160/120

Dimensions (in mm)

Technical data



Front view



Top view

TSCA 160/120

Width:	2,200 mm
Depth:	1,320-3,215 mm
Height:	1,900-2,100 mm
Weight:	1,375 kg
Three phase current connection:	380-460 VAC, 50/60 Hz
Power input:	6.8 kW
Fuse connection:	16 A
Compressed air:	5-7 bar/0.5-0.7 MPa
Air consumption:	2.5 NL/cycle

TSCA 120

R-ID Clip:	S, M
Spreading:	18, 26, 30 mm
Incl. overspreading up to:	80 mm

TSCA 160

	M, L, XL
	26, 30, 36, 44 mm
	110 mm

TSCA 160/120-GB-04/16-HA Subject to technical modifications.

poly-clip[®]
SYSTEM