

Item description/product images



Description

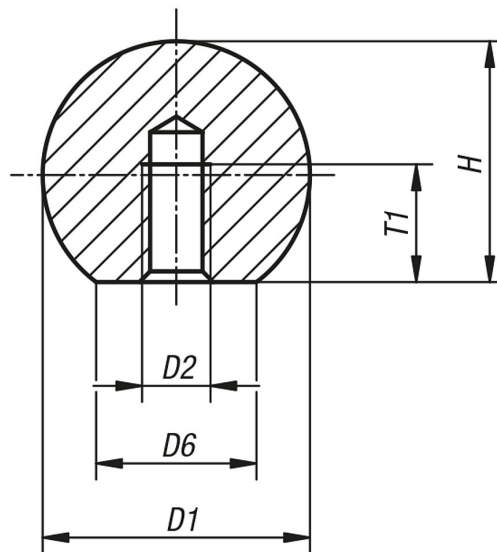
Material:
 Stainless steel 1.4301.

Version:
 Electropolished.

On request:
 Stainless steel 1.4401.
 Stainless steel 1.4404.
 Stainless steel 1.4571.
 External thread.

Drawings

Form C
 tapped



Overview of items

Order No.	D1	D2	~D6	~H	T1 min.
20-1-20	16	M4	8	15	7,2
20-1-21	20	M5	12	18	9,1
20-1-22	25	M6	15	22,5	11
20-1-23	32	M8	18	29	14,5
20-1-24	40	M10	22	37	18
20-1-25	50	M12	28	46	21