

## Item description/product images



### Description

#### Material:

Metal parts stainless steel 1.4404.  
Surface high-gloss polished.  
Shaft seal 70 EPDM 291.

#### Note:

Clamping lever designed for the hygienic industry. The completely closed grip part and the shaft seal prevent contamination of the lever inner parts. Additionally, the screw insert has a conical collar so that the fastening point can be hygienically sealed with the Hygienic USIT® sealing and shim washer.

At rest, the lever is freely rotatable. Unintended opening of the lever is excluded. The toothing is protected against high wear for mounting on vibrating elements.

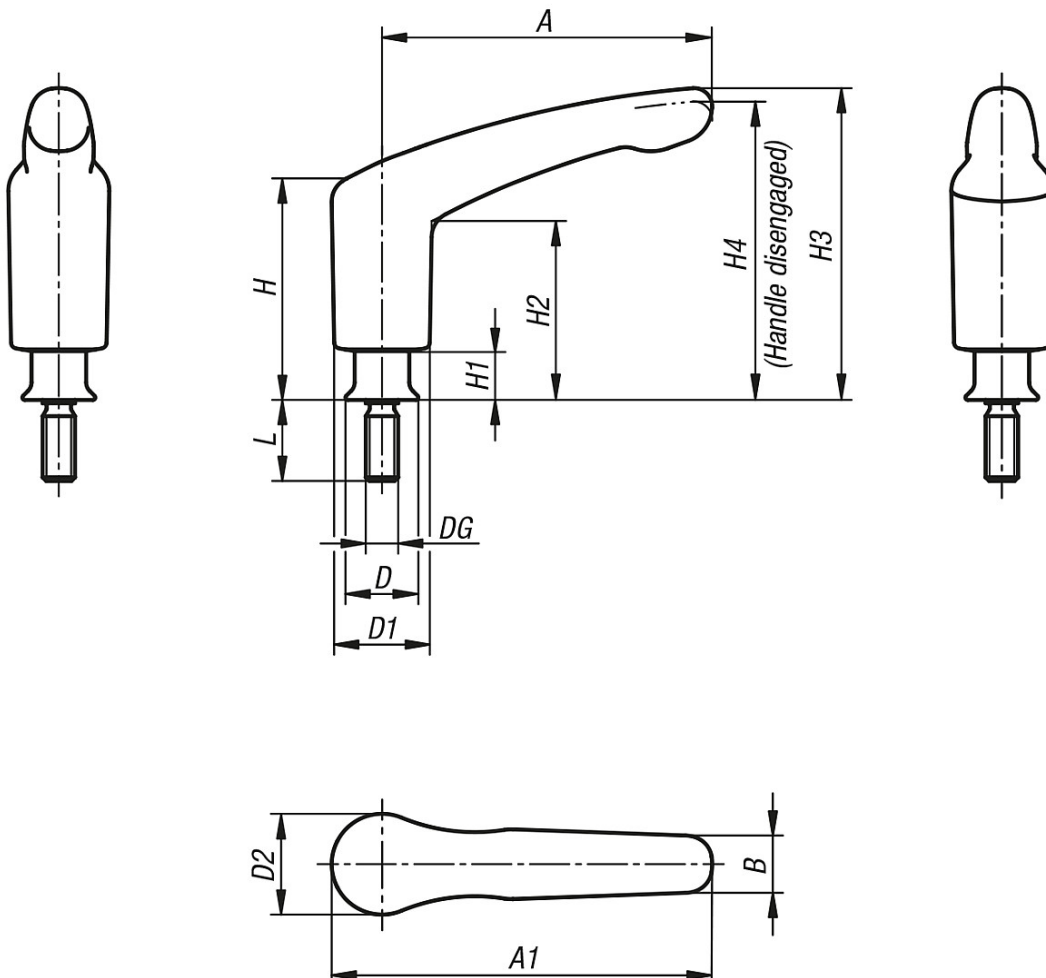
#### On request:

Other screw lengths and inch threads.

#### Accessory:

Hygienic Usit® sealing and shim washer 80-117

## Drawings



## Overview of items

Order No.	Size	DG	L	D	D1	D2	H	H1	H2	H3	H4	A	A1	B
30-98-26	3	M8	16	18	23,6	24,9	54,7	12,1	44	77	73,5	81,5	94	14,2
30-98-27	3	M8	20	18	23,6	24,9	54,7	12,1	44	77	73,5	81,5	94	14,2
30-98-28	3	M8	25	18	23,6	24,9	54,7	12,1	44	77	73,5	81,5	94	14,2
30-98-29	3	M8	30	18	23,6	24,9	54,7	12,1	44	77	73,5	81,5	94	14,2
30-98-30	3	M8	35	18	23,6	24,9	54,7	12,1	44	77	73,5	81,5	94	14,2
30-98-31	3	M10	20	22,3	23,6	24,9	54,7	12,1	44	77	73,5	81,5	94	14,2
30-98-32	3	M10	25	22,3	23,6	24,9	54,7	12,1	44	77	73,5	81,5	94	14,2
30-98-33	3	M10	30	22,3	23,6	24,9	54,7	12,1	44	77	73,5	81,5	94	14,2
30-98-34	3	M10	35	22,3	23,6	24,9	54,7	12,1	44	77	73,5	81,5	94	14,2
30-98-35	3	M10	40	22,3	23,6	24,9	54,7	12,1	44	77	73,5	81,5	94	14,2