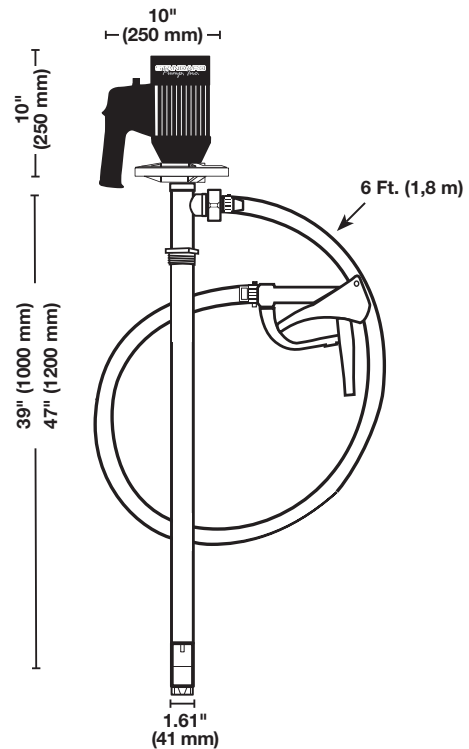


Industrial Drum Pump Packages

PUMP PACKAGE 1 Water Treatment Chemicals



Technical Specifications

Package:Motor, Pump, Hose, Storage Bracket
Barrel Adapter & Hand Nozzle

Motor Type:Open Drip Proof (IP 44)

Pump Assembly:CPVC

Pump Length:..... 39" (1000 mm) or 47" (1200 mm)

Discharge Hose:..... PVC, 6 ft (1,8 m), 1" (25 mm) I.D.

Hand Nozzle:Polypropylene, 1" (25 mm)

Maximum Flow Rate:..... 15 GPM (57 LPM) *based on water*

Maximum Viscosity: 1500 cps (mPas)

Maximum Temperature:190° F (88° C)

Shipping Weight:.....22 lbs. (9,97 kg)

Package Numbers:

Drums:

Pkg P/N	Motor	Volts	Pump Tube
9430	SP-280P-V	110V	SP-CPVC-39
9431	SP-280P-2-V	220V	SP-CPVC-39

Tanks:

Pkg P/N	Motor	Volts	Pump Tube
9432	SP-280P-V	110V	SP-CPVC-47
9433	SP-280P-2-V	220V	SP-CPVC-47

STANDARD
Pumps, Inc.

www.standardpump.com

Toll Free: 1-866-558-8611

Tel 770-307-1003