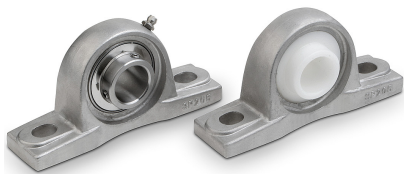


Item description/product images



Description

Material:

Housing 1.4301.

Ball bearing 1.4112.

Plain bearing POM.

Version:

Plain bearing white.

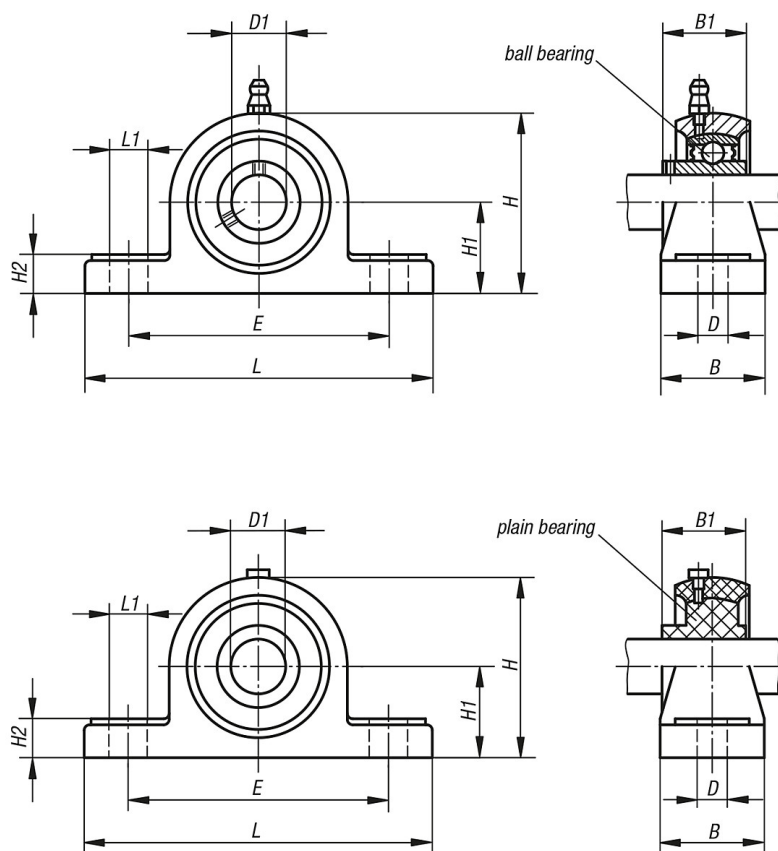
Stainless steel parts bright.

Note:

These stainless steel pillow block bearings have the same operating dimensions as the standard bearing housings of the major manufacturers, and can so be used or exchanged in existing constructions.

Suitable protective caps: 50-28, 50-29.

Drawings



Overview of items

Order No.	Version	Size	D1	H1	L	H	E	B	B1	D	L1	H2
50-24-0	stainless steel bearing	201	12	33,3	126,1	64,4	95	38,2	31	13	19	15
50-24-1	stainless steel bearing	202	15	33,3	126,1	64,4	95	38,2	31	13	19	15
50-24-2	stainless steel bearing	204	20	33,3	126,1	64,4	95	38,2	31	13	19	15
50-24-3	stainless steel bearing	205	25	36,5	140,6	69,7	105	38,2	34	13	19	15,7

Overview of items

Order No.	Version	Size	D1	H1	L	H	E	B	B1	D	L1	H2
50-24-4	stainless steel bearing	206	30	43	165	83,2	121	48,2	38,1	17	21	18,3
50-24-5	stainless steel bearing	207	35	47,6	167	94	127	48	42,9	17	21	19
50-24-6	stainless steel bearing	208	40	49,2	184	100	137	54	49,2	17	23	19

Order No.	Version	Size	D1	H1	L	H	E	B	B1	D	L1	H2
50-24-910	plain bearing insert POM	201	12	33,3	126,1	64,4	95	38,2	31	13	19	15
50-24-11	plain bearing insert POM	202	15	33,3	126,1	64,4	95	38,2	31	13	19	15
50-24-12	plain bearing insert POM	204	20	33,3	126,1	64,4	95	38,2	31	13	19	15
50-24-13	plain bearing insert POM	205	25	36,5	140,6	69,7	105	38,2	34	13	19	15,7
50-24-14	plain bearing insert POM	206	30	43	165	83,2	121	48,2	38,1	17	21	18,3
50-24-15	plain bearing insert POM	207	35	47,6	167	94	127	48	42,9	17	21	19
50-24-16	plain bearing insert POM	208	40	49,2	184	100	137	54	49,2	17	23	19