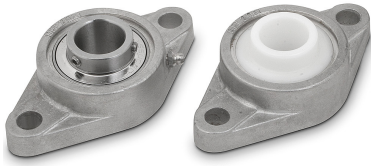


Item description/product images



Description

Material:

Housing 1.4301.

Ball bearing 1.4112.

Plain bearing POM.

Version:

Plain bearing insert white.

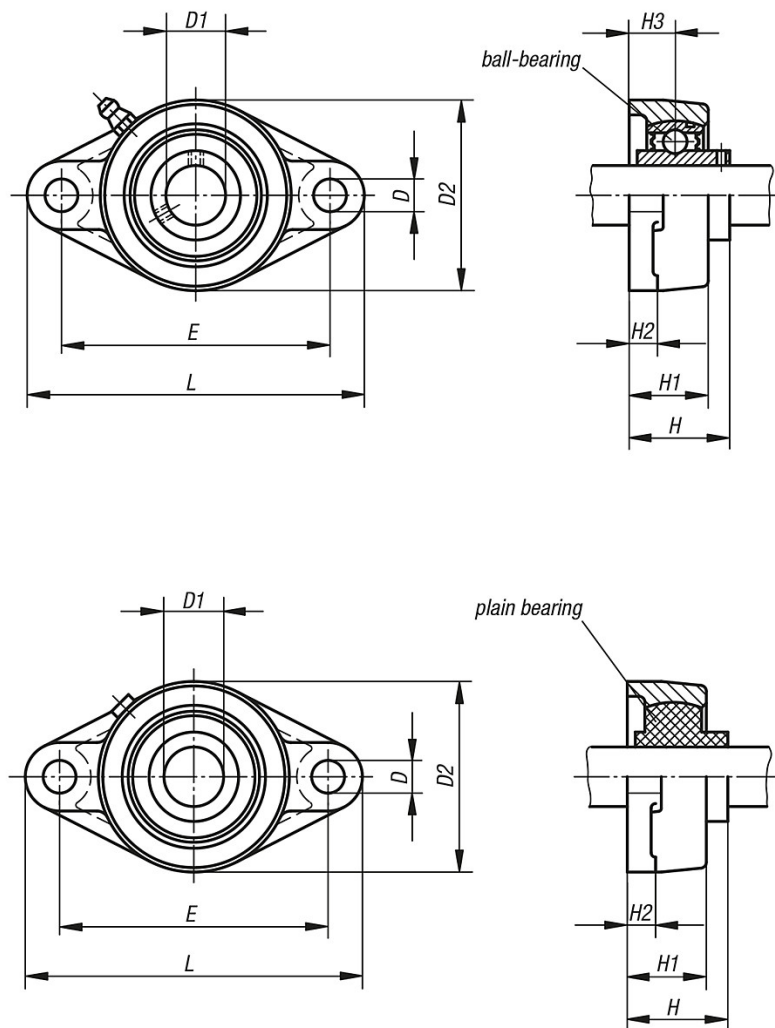
Stainless steel parts bright.

Note:

These stainless steel pillow block bearings have the same operating dimensions as the standard bearing housings of the major manufacturers, and can so be used or exchanged in existing constructions.

Suitable protective caps: 50-28, 50-29.

Drawings



Overview of items

Order No.	Version	Size	D1	L	E	D2	D	H	H1	H2	H3
50-27-0	stainless steel bearing	201	12	112	90	60	11	33	26	11	14,7
50-27-1	stainless steel bearing	202	15	112	90	60	11	33	26	11	14,7
50-27-2	stainless steel bearing	204	20	112	90	60	11	33	26	11	14,7
50-27-3	stainless steel bearing	205	25	125	99	67,5	11,5	35,5	27	13	15,8
50-27-4	stainless steel bearing	206	30	141	117	80	11,5	40	30,2	14,3	17,8
50-27-5	stainless steel bearing	207	35	156	130	90	13	44,5	34	14,3	19,1
50-27-6	stainless steel bearing	208	40	172	144	100	13	51,2	36	14,3	21

Order No.	Version	Size	D1	L	E	D2	D	H	H1	H2
50-27-910	plain bearing insert POM	201	12	112	90	60	11	33	26	11
50-27-11	plain bearing insert POM	202	15	112	90	60	11	33	26	11
50-27-12	plain bearing insert POM	204	20	112	90	60	11	33	26	11
50-27-13	plain bearing insert POM	205	25	125	99	67,5	11,5	35,5	27	13
50-27-14	plain bearing insert POM	206	30	141	117	80	11,5	40	30,2	14,3
50-27-15	plain bearing insert POM	207	35	156	130	90	13	44,5	34	14,3
50-27-16	plain bearing insert POM	208	40	172	144	100	13	51,2	36	14,3