

Item description/product images



Description

Material:

Housing plastic.

Ball bearing stainless steel 1.4112.

Plain bearing insert POM.

Bushes and grease nipple stainless steel 1.4301.

Version:

Plain bearing insert white.

Housing green.

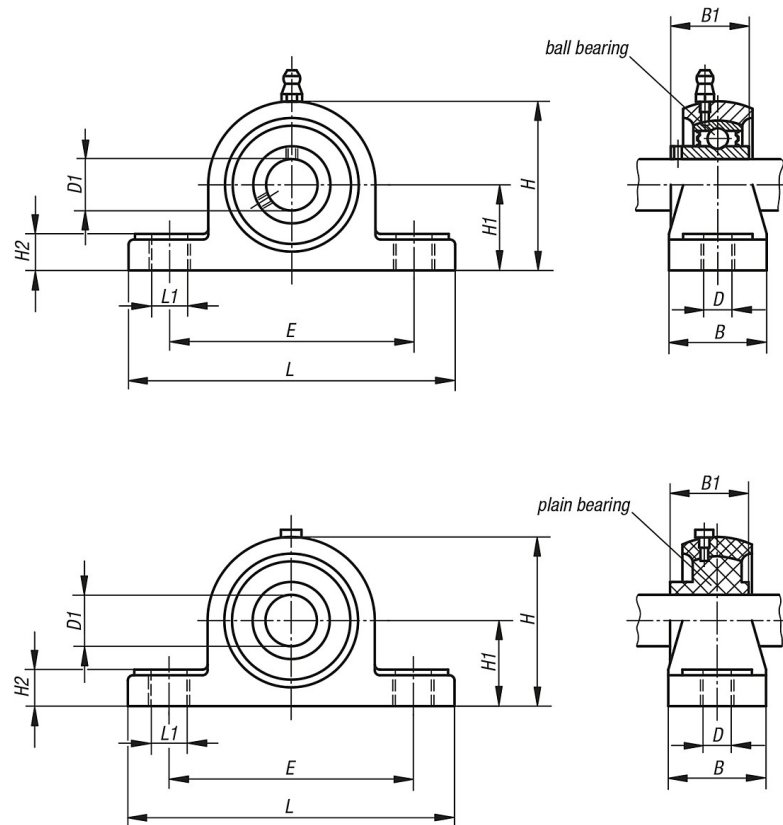
Stainless steel parts bright.

Note:

The housings are very robust, hard wearing and shock proof. They are resistant to most alkaline solutions, weak acids (PH 4-9) and brines. In contrast to cast or steel housings the special plastic in these housings prevent the formation of micro-organisms.

Suitable dust caps 50-28, 50-29.

Drawings



Overview of items

Order No.	Version	Size	D1	H1	L	H	E	B	B1	D	L1	H2
50-20-0	stainless steel bearing	201	12	33,3	127	65,5	95	38	31	11	14	14,2
50-20-1	stainless steel bearing	202	15	33,3	127	65,5	95	38	31	11	14	14,2

Overview of items

Order No.	Version	Size	D1	H1	L	H	E	B	B1	D	L1	H2
50-20-2	stainless steel bearing	204	20	33,3	127	65,5	95	38	31	11	14	14,2
50-20-3	stainless steel bearing	205	25	36,5	141	71	105	38	34	11	14	14,5
50-20-4	stainless steel bearing	206	30	42,9	163	84	119	46	38,1	14	18	17,8
50-20-5	stainless steel bearing	207	35	47,6	168	94,5	127	48	42,9	14	18	18
50-20-6	stainless steel bearing	208	40	49,2	184	99	137	54	49,2	14	18	19,5

Order No.	Version	Size	D1	H1	L	H	E	B	B1	D	L1	H2
50-20-910	plain bearing insert POM	201	12	33,3	127	65,5	95	38	31	11	14	14,2
50-20-11	plain bearing insert POM	202	15	33,3	127	65,5	95	38	31	11	14	14,2
50-20-12	plain bearing insert POM	204	20	33,3	127	65,5	95	38	31	11	14	14,2
50-20-13	plain bearing insert POM	205	25	36,5	141	71	105	38	34	11	14	14,5
50-20-14	plain bearing insert POM	206	30	42,9	163	84	119	46	38,1	14	18	17,8
50-20-15	plain bearing insert POM	207	35	47,6	168	94,5	127	48	42,9	14	18	18
50-20-16	plain bearing insert POM	208	40	49,2	184	99	137	54	49,2	14	18	19,5