

# Union M/M

# F31

## Class 150



A VIEW



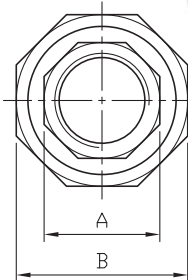
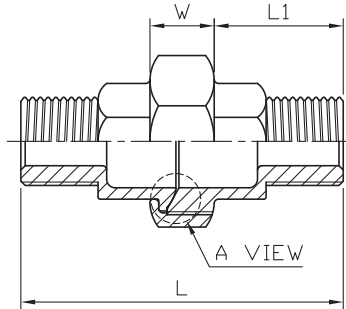
Flat union



Conical union



Conical union with conical seat



1/8"~1/4" Hexagon  
3/8"~1" Octagon  
1-1/4"~3" Decagon

## Standard Pattern

SIZE	1/8"		1/4"		3/8"		1/2"		3/4"		1"		1-1/4"		1-1/2"		2"		2-1/2"		3"	
	mm	in	mm	in	mm	in	mm	in	mm	in	mm	in	mm	in	mm	in	mm	in	mm	in	mm	in
L	56	2.2	56	2.2	57.5	2.26	66.5	2.62	73.4	2.89	81	3.19	89.5	3.52	89.3	3.52	99	3.9	122.5	4.82	144	5.67
L1	21.3	0.84	21	0.83	21	0.83	26.1	1.03	29.6	1.17	32	1.26	34.5	1.36	34	1.34	39	1.54	49	1.93	58	2.28
A	17	0.67	17	0.67	20	0.79	26.5	1.04	31	1.22	38.4	1.51	47.3	1.86	53	2.09	66	2.6	82.6	3.25	95.3	3.75
B	28	1.1	28	1.1	34	1.34	39.2	1.54	46	1.81	55	2.17	63.5	2.5	71	2.8	85	3.35	105.5	4.15	123.7	4.87
W	12.2	0.48	12.2	0.48	15	0.59	15	0.59	15	0.59	17	0.67	20	0.79	20	0.79	20.8	0.82	24	0.94	28	1.1

Tolerance:  $\pm 0.5\text{mm}$ (1/8"~2")  
 $\pm 0.8\text{mm}$ (2-1/2"~3")



8F., No.201, Sec. 2, Tiding Blvd., Neihu District, Taipei City 114, Taiwan R.O.C.  
TEL : +886-2-2658-5800 FAX : +886-2-2658-2266 / 2799-7766

[Http://www.haitima.com.tw](http://www.haitima.com.tw)  
E-mail : [haitima@seed.net.tw](mailto:haitima@seed.net.tw)