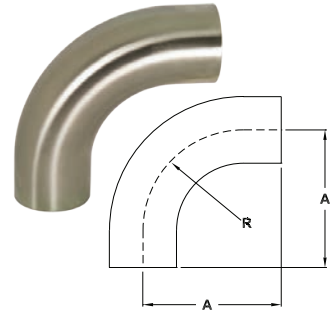


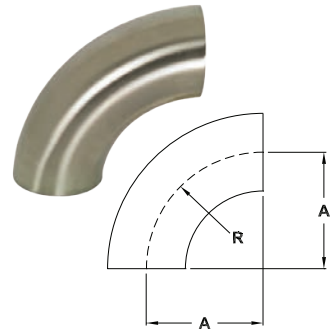
Weld Elbows

Polished 90° Weld Elbows with Tangents - B2S 

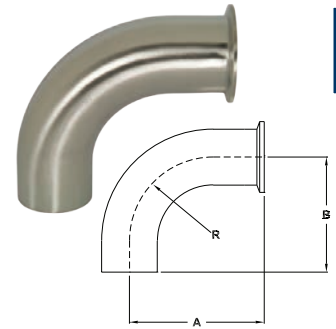
Tube OD	Dimensions		Wall Thickness	polished ID/OD 304 Stainless Steel		polished ID/OD 316L Stainless Steel	
	A	R		Part #	Price/E	Part #	Price/E
1/2"	3.000"	1.125"	.065"	---	---	B2S-R50P	\$74.45
3/4"	3.000"	1.125"	.065"	---	---	B2S-R75P	74.45
1"	2.062"	1.500"	.065"	B2S-G100P	\$31.10	B2S-R100P	34.80
1 1/2"	2.937"	2.250"	.065"	B2S-G150P	33.30	B2S-R150P	38.85
2"	4.062"	3.000"	.065"	B2S-G200P	36.20	B2S-R200P	53.65
2 1/2"	5.187"	3.750"	.065"	B2S-G250P	51.50	B2S-R250P	80.75
3"	6.312"	4.500"	.065"	B2S-G300P	74.95	B2S-R300P	111.30
4"	8.312"	6.000"	.083"	B2S-G400P	134.05	B2S-R400P	204.35

Polished 90° Weld Elbows - B2WCL 

Tube OD	Dimensions		Wall Thickness	polished ID/OD 304 Stainless Steel		polished ID/OD 316L Stainless Steel	
	A	R		Part #	Price/E	Part #	Price/E
1/2"	1.125"	1.125"	.065"	---	---	B2WCL-R50P	\$32.25
3/4"	1.125"	1.125"	.065"	---	---	B2WCL-R75P	32.25
1"	1.500"	1.500"	.065"	B2WCL-G100P	\$16.75	B2WCL-R100P	20.20
1 1/2"	2.250"	2.250"	.065"	B2WCL-G150P	21.40	B2WCL-R150P	27.00
2"	3.000"	3.000"	.065"	B2WCL-G200P	29.25	B2WCL-R200P	37.15
2 1/2"	3.750"	3.750"	.065"	B2WCL-G250P	47.00	B2WCL-R250P	61.50
3"	4.500"	4.500"	.065"	B2WCL-G300P	66.85	B2WCL-R300P	85.35
4"	6.000"	6.000"	.083"	B2WCL-G400P	127.90	B2WCL-R400P	155.50
6"	9.000"	9.000"	.109"	B2WCL-G600P	471.35	B2WCL-R600P	510.25
8"	12.000"	12.000"	.120"	B2WCL-G800P	1336.00	B2WCL-R800P	1513.65

Polished 90° Clamp x Weld Elbows - B2CM 

Tube OD	Dimensions			Wall Thickness	polished ID/OD 304 Stainless Steel		polished ID/OD 316L Stainless Steel	
	A	B	R		Part #	Price/E	Part #	Price/E
1"	2.562"	2.062"	1.500"	.065"	B2CM-G100	\$77.45	B2CM-R100	\$94.20
1 1/2"	3.438"	2.937"	2.250"	.065"	B2CM-G150	77.45	B2CM-R150	94.20
2"	4.562"	4.062"	3.000"	.065"	B2CM-G200	86.90	B2CM-R200	104.45
2 1/2"	5.688"	5.187"	3.750"	.065"	B2CM-G250	113.70	B2CM-R250	158.20
3"	6.812"	6.312"	4.500"	.065"	B2CM-G300	151.15	B2CM-R300	220.65
4"	8.937"	8.312"	6.000"	.083"	B2CM-G400	259.10	B2CM-R400	327.60

Polished 90° Plain Bevel Seat with Hex Nut x Weld Elbows - B2FP 

Tube OD	Dimensions			Wall Thickness	polished ID/OD 304 Stainless Steel	
	A	B	R		Part #	Price/E
1 1/2"	3.656"	2.937"	2.250"	.065"	B2FP-G150	\$135.75
2"	4.812"	4.062"	3.000"	.065"	B2FP-G200	152.80
2 1/2"	6.062"	5.187"	3.750"	.065"	B2FP-G250	240.25
3"	7.218"	6.312"	4.500"	.065"	B2FP-G300	262.75

