

# Fig.No. ZT-303 Three Piece Bolted/In-Line Maintenance 2000PSI STAINLESS/CARBON STEEL BALL VALVES-STANDARD PORT

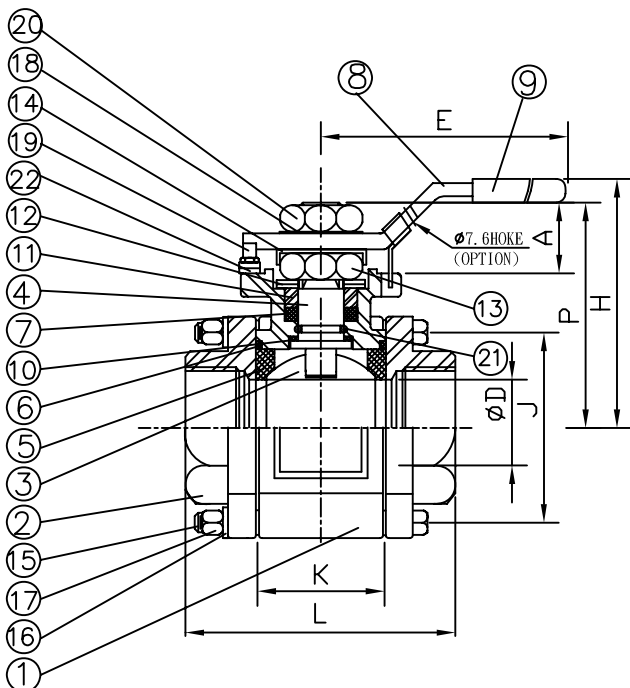
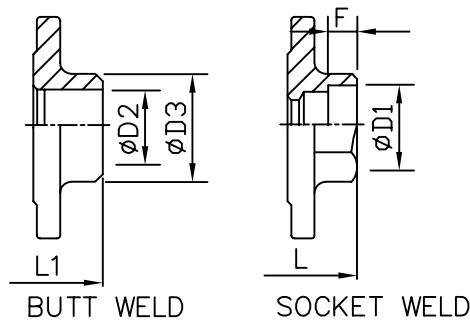
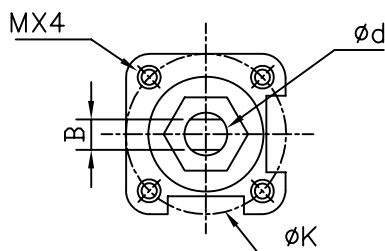
- \* For food and general chemical service applications
- \* Adjustable stem pack
- \* Blow-out proof stem design
- \* Body and end caps quality investment casting
- \* In-line repairable
- \* Available in carbon or stainless steel body construction
- \* 100% tested by air under water, at 100psi, open and closed positions

### SPECIFICATIONS

- \* Working Pressure:  
1/4"~1" 2000 psi W.O.G  
1-1/4"~2" 1500 psi W.O.G
- \* Temperature Range: -20 to 450°F
- \* End Type: Threaded socket & butt weld

### OPTIONS

- \* Padlocking device
- \* Actuator mounting bracket



DIMENSIONS (mm)

### MATERIALS LIST

NO	PART NAME	SPECIFICATION
1	BODY	ASTM A351 GR.CF8M/A216 WCB
2	END CAP	ASTM A351 GR.CF8M/A216 WCB
3	BALL	ASTM A351 GR.CF8M/CF8
4	STEM	S.S.316
5	BALL SEATS	PTFE
6	END SEAL	PTFE
7	STEM PACKINGS	PTFE
8	HANDLE	S.S.304
9	HANDLE SLEEVE	VINYL GRIP
10	THRUST WASHER	MG1241
11	GLAND	S.S.304
12	CUP SPRING	S.S.301
13	STEM NUT	S.S.304
14	LOCK CAP	S.S.304
15	BOLTS	S.S.304
16	BOLT WASHERS	S.S.304
17	BOLT NUTS	S.S.304
18	HANDLE WASHERS	S.S.304
19	STOP PIN	S.S.304
20	HANDLE NUT	S.S.304
21	O-RING	VITON
22	WASHER	S.S.304

SIZE	øD	øD1	øD2	øD3	F	H	L	L1	E	B	øk	ød	A	P	M	K	J	W(kg)
1/4"	11	14.1	9.2	13.7	9.5	56.5	70	67	121.5	5.5	36	9.4	13	40.5	M5	20.6	32	0.62
3/8"	11	17.5	12.5	17.1	9.5	56.5	70	67	121.5	5.5	36	9.4	13	40.5	M5	20.6	32	0.6
1/2"	11	22.4	15.8	21.3	9.5	56.5	70	67	121.5	5.5	36	9.4	13	40.5	M5	20.6	32	0.58
3/4"	14.3	27.4	21	27.1	14.3	60	74	72	121.5	5.5	36	9.4	13	44	M5	24.6	38.2	0.8
1"	20	34.2	26.6	34.1	15.9	74.5	99	97	151	7.4	42	10.7	19.2	57	M5	31.8	44	1.5
1 1/4"	25.4	43	35.1	42.2	17.5	77	110	108	151	7.4	42	10.7	22	64.5	M5	41.3	50.5	1.96
1 1/2"	31.8	49	40.9	48.3	19.1	86	117	117	178	8.6	50	14	25	76	M6	48.4	57	2.96
2"	38.1	61.11	52.5	60.3	22.2	92	128	128	178	8.6	50	14	22.5	79.5	M6	56.4	66.5	4.14

## ZHE THAI MACHINERY CO., LTD.