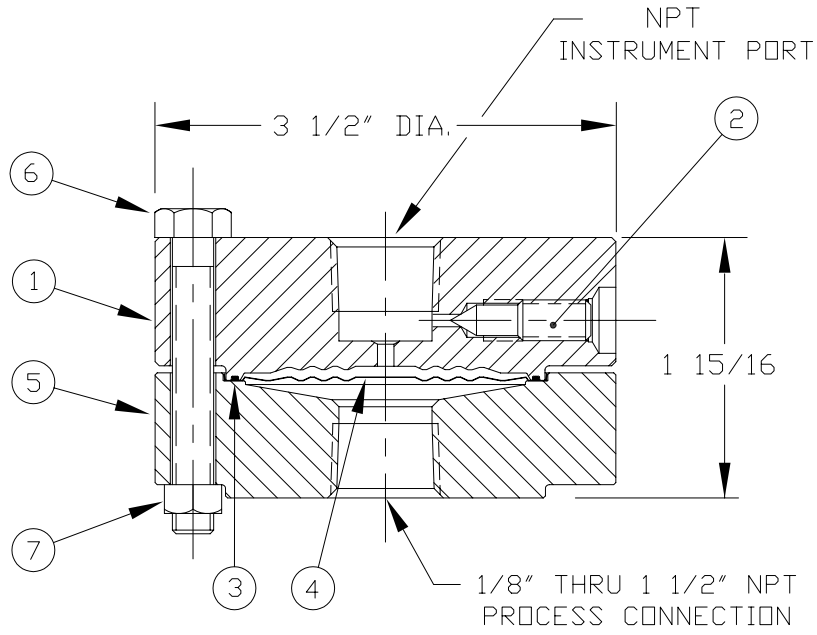


SOLD TO : ULTIMATE CUSTOMER : (IF AVAILABLE)		P.O. # : P.O. # :
AMETEK NO. :	DRW. TO :	CUST. SPEC. NO. :
ORDER ITEM NO. :	QUANTITY :	FILL FLUID :



	DESCRIPTION	QTY.
①	TOP	1
②	FILLING SCREW	1
③	□-RING	1
④	DIAPHRAGM	1
⑤	BOTTOM	1
⑥	SCREW 5/16-18 HEX. HEAD (OPTIONAL 15 SCREWS FOR EXTRA BOLTING)	8
⑦	NUT, ST. STL.	8


CLASS 2500 @ 100°F
 OPTIONAL 5000 PSI @ 100° F
TYPE RB

INSTRUMENT DESCRIPTION

- INSTALLATION : - CONNECT ASSEMBLED SEAL TO STANDARD MALE NPT PIPE THREAD USING A STRAP WRENCH
- OPERATION : - WHEN CLEANING IS REQUIRED, REMOVE FROM PIPE THREAD AND CLEAN AS UNIT.
- CAUTION : - DO NOT LOOSEN INSTRUMENT OR FILLING SCREW PART #2 OR SEAL SCREW PART #6, AS LOSS OF LIQUID FILL WILL RESULT AND RECALIBRATION WILL BE NECESSARY.

DRAWING CERTIFIED CORRECT,
 DATE :

AMETEK

	AMETEK		TEST AND CALIBRATION INSTRUMENTS DIVISION				LARGO , FL	
	CODE IDENT. NO. 92456	REVISION DATE	A ER 75-142	B 06/26/95				