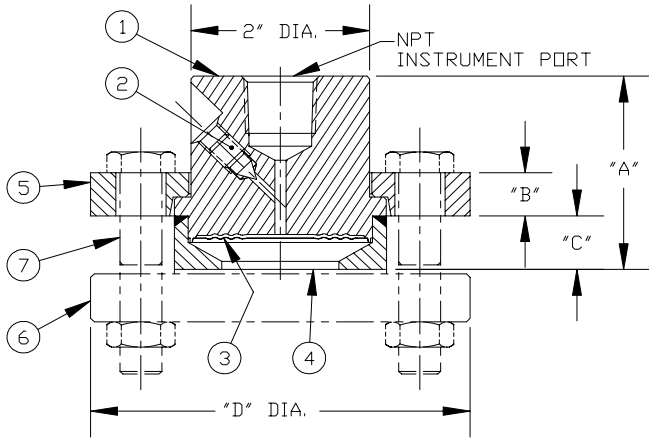


SOLD TO :		P.O. # :
ULTIMATE CUSTOMER :		P.O. # :
(IF AVAILABLE)		
AMETEK NO. :	DRW. TO :	CUST. SPEC. NO. :
ORDER ITEM NO. :	QUANTITY :	FILL FLUID :



	DESCRIPTION	QTY.
①	TOP	1
②	FILLING SCREW	1
③	DIAPHRAGM	1
④	BOTTOM	1
⑤	FLANGE	1
⑥	FLANGE (BY USER)	1
⑦	BOLTS (SUPPLIED BY CUSTOMER)	4

TYPE SCW

1" CLASS 150# & 300#
SEE SK-6266-1 FOR DIMENSIONS

INSTRUMENT DESCRIPTION

INSTALLATION : - INSTALL CALIBRATED UNIT (AS AN ASSEMBLY) PART #'S 1, 2, AND 5 ON STANDARD ANSI FLANGE.
- SECURE WITH BOLTS PART #7.

NOTE : TIGHTEN BOLTS IN A GRADUAL ALTERNATING CROSS PATTERN UNTIL FULL TORQUE IS OBTAINED.

OPERATION : - WHEN CLEANING IS REQUIRED REMOVE BOLTS PART #7, THE CALIBRATED UNIT AS AN ASSEMBLY, PART # 1 AND 2.
- CLEAN AND REINSTALL.

CAUTION : - DO NOT LOOSEN INSTRUMENT, FILLING SCREW PART #2, AS LOSS OF LIQUID FILL WILL RESULT AND RECALIBRATION WILL BE NECESSARY.

DRAWING CERTIFIED CORRECT,
DATE :

AMETEK

		AMETEK		TEST AND CALIBRATION INSTRUMENTS DIVISION		LARGO, FLORIDA	
CODE IDENT. NO.	REVISION	A				AMETEK DIAPHRAGM SEAL TYPE SCW	
92456	DATE	09/19/00				DATA AND INSTRUCTION SHEET	
						DRAWING NO. : SK-6266	