

SOLD TO :
 ULTIMATE CUSTOMER :
 (IF AVAILABLE)

P.O. # :
 P.O. # :

AMETEK NO. :

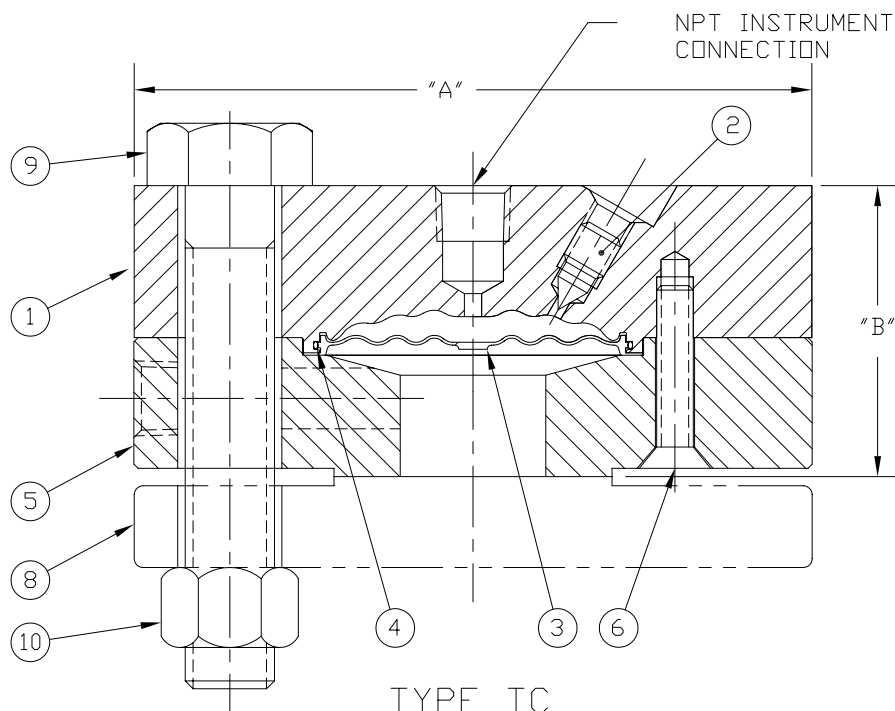
DRW. TO :

CUST. SPEC. NO. :

ORDER ITEM NO. :

QUANTITY :

FILL FLUID :



	DESCRIPTION	QTY.
①	TOP	1
②	FILLING SCREW	1
③	DIAPHRAGM	1
④	O-RING	1
⑤	BOTTOM	1
⑥	SCREW, #10-32 FLAT HEAD	4
⑦	RETAINING RING	1
⑧	FLANGE (BY USER)	1
⑨	BOLTS (SUPPLIED BY CUSTOMER) - 5/8"-11	-
⑩	NUTS (SUPPLIED BY CUSTOMER) - 5/8"-11	-

TYPE TC

3/4" 300#-1500#
 1" 150#-1500#

SEE SK-5432-1 FOR DIMENSIONS
 AND PRESSURE RATINGS @ 100°F

INSTRUMENT DESCRIPTION

- INSTALLATION : - INSTALL CALIBRATED UNIT (AS AN ASSEMBLY) PART #'S 1, 2, 3, 4, 5, 6, 7 ON STANDARD ANSI FLANGE.
 - SECURE WITH BOLTS PART #9.
- OPERATION : - WHEN CLEANING IS REQUIRED REMOVE BOLTS PART #9, THE CALIBRATED UNIT AS AN ASSEMBLY, PART # 1, 2, 3, 4, 5, 6, 7.
 - CLEAN AND REINSTALL.
- CAUTION : - DO NOT LOOSEN INSTRUMENT, FILLING SCREW PART #2, OR #10-32 SCREW PART #6, AS LOSS OF LIQUID FILL WILL RESULT AND RECALIBRATION WILL BE NECESSARY.

DRAWING CERTIFIED CORRECT,
 DATE :

AMETEK



AMETEK

AMETEK

TEST AND CALIBRATION INSTRUMENTS DIVISION

LARGO, FL

CODE IDENT. NO.	REVISION	A	B	C				AMETEK DIAPHRAGM SEAL TYPE TC DATA AND INSTRUCTION SHEET DRAWING NO.: SK-5432
	92456	DATE	09/20/95	06/10/97	11/17/98			