

SOLD TO :
 ULTIMATE CUSTOMER :
 (IF AVAILABLE)

P.O. # :
 P.O. # :

U.S. GAUGE NO. :

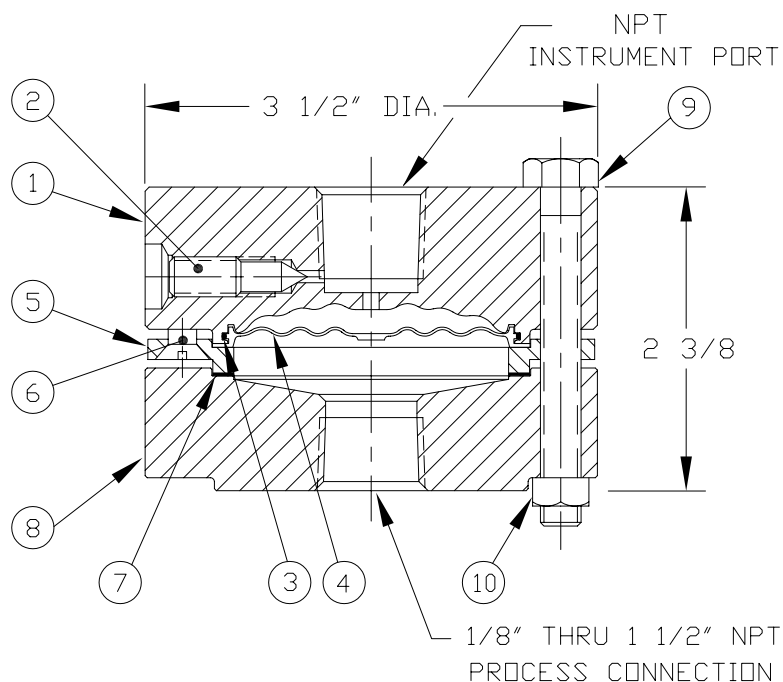
DRW. TO :

CUST. SPEC. NO. :

ORDER ITEM NO. :

QUANTITY :

FILL FLUID :



	DESCRIPTION	QTY.
①	TOP	1
②	FILLING SCREW	1
③	O-RING	1
④	DIAPHRAGM	1
⑤	MIDDLE RING	1
⑥	SEAL SCREW	4
⑦	GASKET	1
⑧	BOTTOM	1
⑨	SCREW, 5/16-18 HEX. HEAD	8
⑩	NUT, ST. STL.	8

2500 P.S.I. @ 100° F

TYPE 'TA'

INSTRUMENT DESCRIPTION

INSTALLATION : - CONNECT ASSEMBLED SEAL TO STANDARD MALE NPT PIPE THREAD.

OPERATION : - WHEN CLEANING IS REQUIRED, REMOVE CLEAN OUT SCREWS PART #9. CLEAN AND REINSTALL USING A NEW GASKET.

CAUTION : - DO NOT LOOSEN INSTRUMENT, FILLING SCREW PART #2, OR SEAL SCREW PART #6, AS LOSS OF LIQUID FILL WILL RESULT AND RECALIBRATION WILL BE NECESSARY.

DRAWING CERTIFIED CORRECT,
 DATE :

AMETEK/MANSFIELD & GREEN

ER 77-09



AMETEK

MANSFIELD & GREEN DIVISION

LARGO , FLORIDA 34643

CODE IDENT. NO.
 92456

REVISION
 DATE

MANSFIELD & GREEN DIAPHRAGM SEAL TYPE TA
 DATA AND INSTRUCTION SHEET
 DRAWING NO.: SK-5448