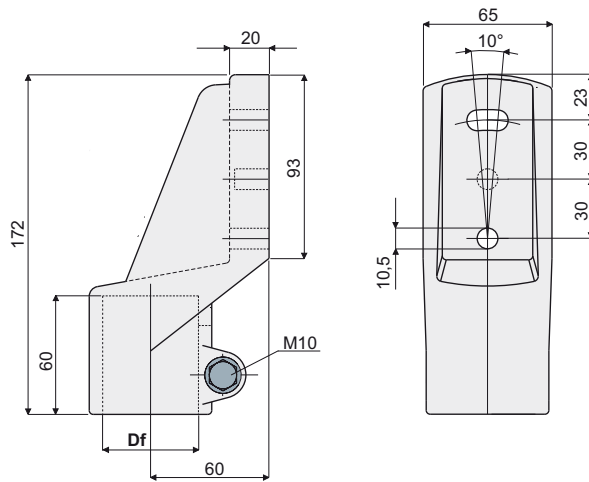


Bearing heads

Side mounting top bracket

Part. **211**



Df Bore for tubes of		Zinc plated bolts and nuts	Stainless steel AISI 304 bolts and nuts
(mm)	(Inches)	Code	Code
48,3	1" 1/2	211 / 80648	211 / 80649

MATERIALS: Top bracket made out of reinforced polyamide black colour; bolts and nuts made out of stainless steel AISI 304 or zinc plated steel.

FEATURES: Max tightening torque 3,6 Kg-m.

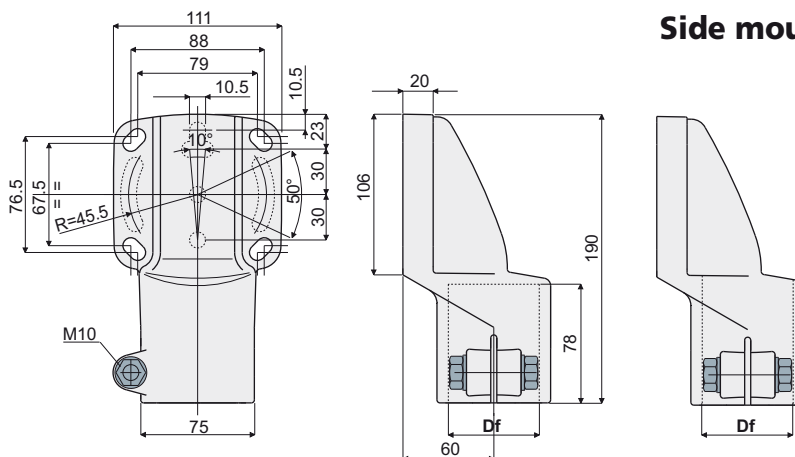
BOX QUANTITY: 8 pieces.

ON REQUEST:

- Top brackets: In reinforced polypropylene, other colours.
- Box Quantity: According to your request.
- Assembling of: Bolts and nuts.

Side mounting top bracket

Part. **207**



Df Bore for tubes of		Zinc plated bolts and nuts	Stainless steel AISI 304 bolts and nuts
(mm)	(Inches)	Code	Code
60,3	2"	207 / 80790	207 / 80791
50,8	-	207 / 83210	207 / 83211
48,3	1" 1/2	207 / 80792	207 / 80793
42,4	1" 1/4	207 / 80794	207 / 80795
45x45	square tube	207 / 80796	207 / 80797
48,3	through hole	207 / 82632	207 / 82633

MATERIALS: Top bracket made of reinforced polyamide black colour; bolts and nuts made of stainless steel AISI 304 or zinc plated steel.

FEATURES: Max tightening torque 3,6 Kg-m.

BOX QUANTITY: 8 pieces.

ON REQUEST:

- Top brackets: In reinforced polypropylene, other colours.
- Box Quantity: According to your request.
- Assembling of: Bolts and nuts.