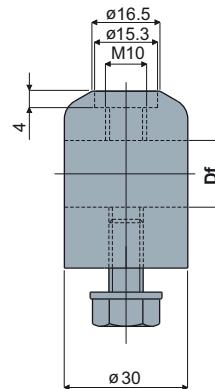
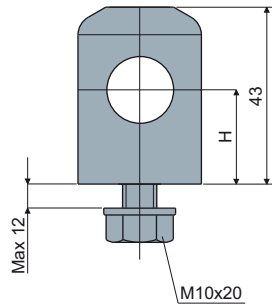


Heads for brackets

Head for bracket (metal)

Part. **223**



Df Bore for pin of (mm)	H (mm)	Head made out of nickel plated brass Code	Head made out of stainless steel AISI 304 Code
14 - 16	22	223 / 80674	223 / 80675
	60	-	223 / 83640

MATERIALS: Head made out of stainless steel AISI 304 or nickel plated brass; screw and washer made out of stainless steel AISI 304.

FEATURES: To be used with Part.209, 220 and 242. Max tightening torque 4 Kg·m. Possibility to use pins with diameter 14 and 16 mm.

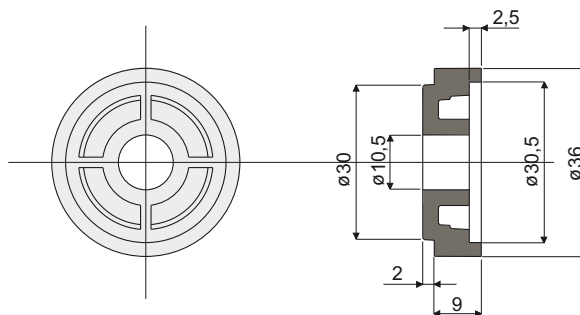
BOX QUANTITY: 24 pieces.

ON REQUEST:

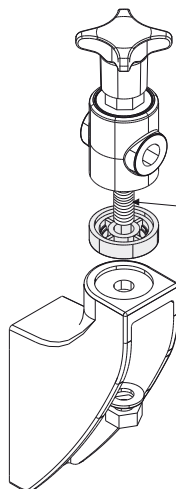
- Heads: In different lengths.
- Box Quantity: According to your request.

Spacer for heads

Part. **256**



Example of application



N.B.: To use the spacer, it is necessary to change the standard screw with a longer one.

Code
256 / 81011

MATERIALS: Spacer made of reinforced polyamide black colour.

FEATURES: Accessory to be used on brackets Part.214, 215, 216, 217, 219, 255, 209, 220, 242, 218, 243, 244, 279, 280, 281 to increase heads height.

BOX QUANTITY: 24 pieces.

ON REQUEST:

- Spacers: In reinforced polypropylene, other colours.
- Box Quantity: According to your request.