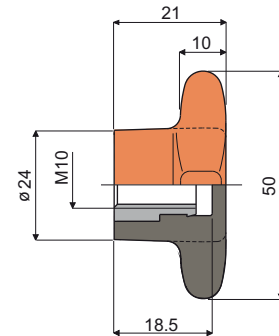
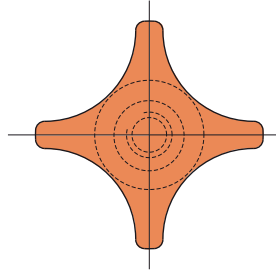


Knobs and handles

Part. 313 Knob for bracket (short type)



Code
313 / 82848

MATERIALS: Knob made of reinforced polyamide orange colour; threaded bushing made of nickel plated brass.

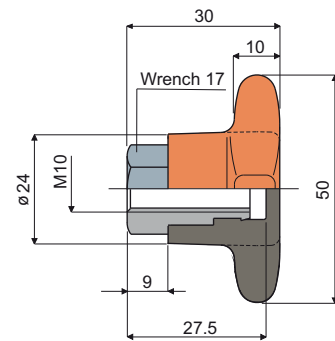
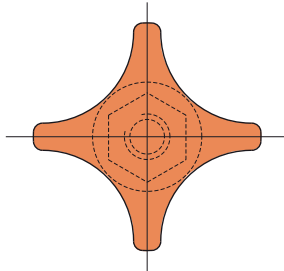
FEATURES: Accessory to be used with heads Part.221 and 266.

BOX QUANTITY: 24 pieces.

ON REQUEST:

- Knobs: In reinforced polypropylene, other colours.
- Box Quantity: According to your request.

Part. 314 Knob for bracket (short type)



Code
314 / 82849

MATERIALS: Knob made of reinforced polyamide orange colour; threaded bushing made of nickel plated brass.

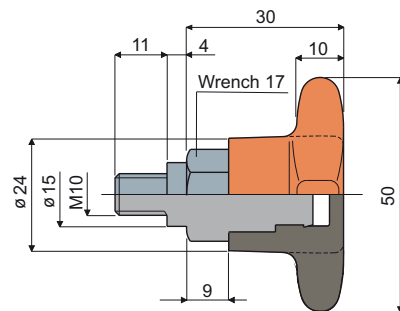
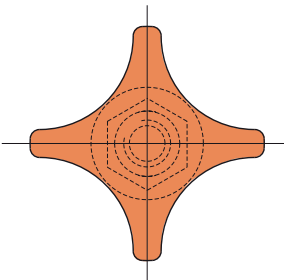
FEATURES: Accessory to be used with heads Part.221 and 266.

BOX QUANTITY: 24 pieces.

ON REQUEST:

- Knobs: In reinforced polypropylene, other colours.
- Box Quantity: According to your request.

Part. 315 Knob for bracket (short type)



Code
315 / 82850

MATERIALS: Knob made of reinforced polyamide orange colour; threaded bushing made of nickel plated brass.

FEATURES: Accessory to be used with head Part.223.

BOX QUANTITY: 24 pieces.

ON REQUEST:

- Knobs: In reinforced polypropylene, other colours.
- Box Quantity: According to your request.