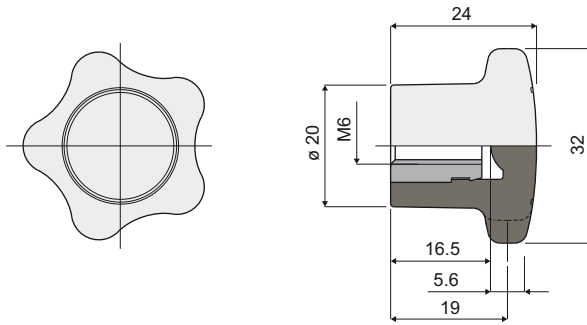


# Knobs and handles

## Knob Part. 383



Code
383 / 84120

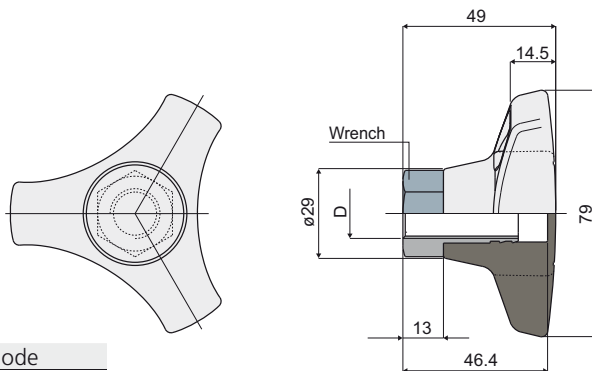
**MATERIALS:** Knob made of reinforced polyamide, black color; threaded bushing in nickel plated brass.

**BOX QUANTITY:** 24 pieces.

**ON REQUEST:**

- Knobs: In reinforced polypropylene, other colours, with customized brand.
- Box Quantity: According to your request.

## Knob Part. 350



D	Wrench	Code
M12	19	350 / 83398
M16	24	350 / 83399

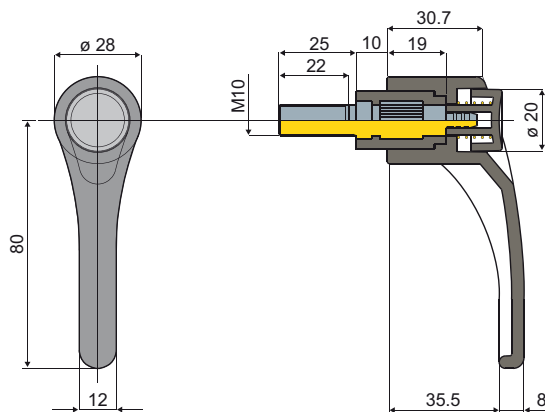
**MATERIALS:** Knob made of reinforced polyamide black colour; threaded bushing in nickel plated brass.

**BOX QUANTITY:** 24 pieces.

**ON REQUEST:**

- Knobs: In reinforced polypropylene, other colours, with customized brand.
- Box Quantity: According to your request.

## Ratchet handle clamping Part. 332



Code
332 / 83113

**MATERIALS:** Handle made of reinforced polyamide black colour with push button in orange colour; threaded insert made of zinc plated steel.

**BOX QUANTITY:** 24 pieces.

**ON REQUEST:**

- Handles: With threaded inserts M8, M10, M12, with different lengths; also available in stainless steel AISI 304.
- Box Quantity: According to your request.