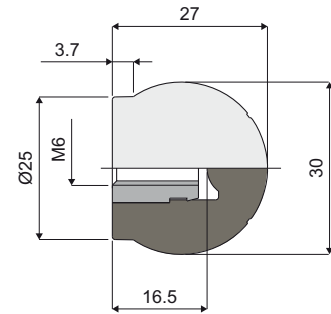
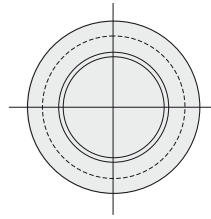


# Knobs and handles

## Part. 382 Ball handle



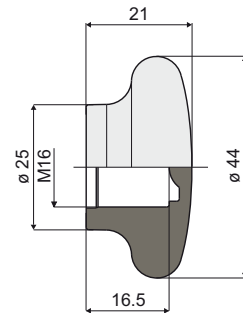
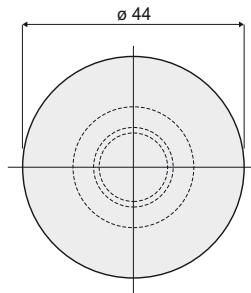
Code
382 / 84119

**MATERIALS:** Ball handle made of reinforced polyamide, black color; threaded bushing in nickel plated brass.  
**BOX QUANTITY:** 24 pieces.

**ON REQUEST:**

- Handles: Made in reinforced polypropylene, different colours.
- Box quantities: According to your request.

## Part. 386 Round handle (ø 44 mm)



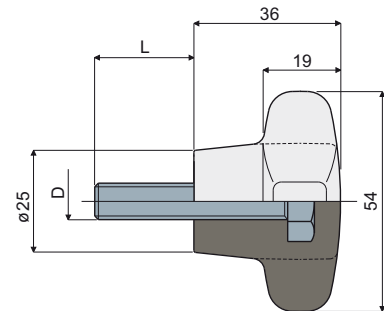
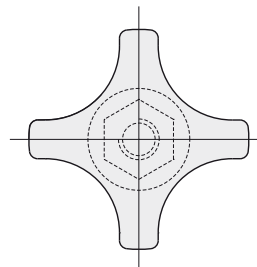
Code
386 / 84124

**MATERIALS:** Handle in reinforced polypropylene, orange colour.  
**FEATURES:** to be used as protection for the pins edges.  
**BOX QUANTITY:** 24 pieces.

**ON REQUEST:**

- Handles: in reinforced polypropylene, different colours.
- Box quantities: according to your request.

## Part. 294 Knob for bracket (reinforced type)



D (mm)	L (mm)	Code
M8	22	294 / 82805
M10	22	294 / 82588

**MATERIALS:** Knob made of reinforced polyamide black colour; bolt made of stainless steel AISI 304.  
**BOX QUANTITY:** 24 pieces.

**ON REQUEST:**

- Knobs: made of reinforced polypropylene, in other colours.
- Box Quantity: According to your request.