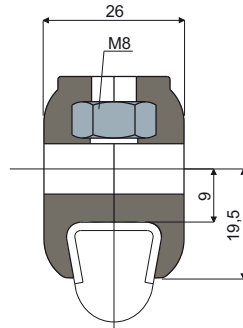
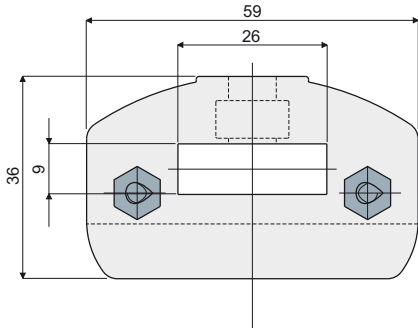


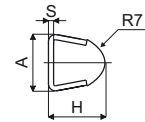
Guide rail clamps

Guide rail clamp (for trapezoidal rails)

Part. **232**



Rail for this type of clamp



S (mm)	H (mm)	A (mm)
1.5	17.5	16
2	18	17



Code

232 / 80688

MATERIALS: Clamp made of reinforced polyamide black colour; screws and nuts made of stainless steel AISI 304.

FEATURES: Supplied assembled. To be used with flat support with sizes 25x8 mm. This part can be used with rails with thickness of 1,5 and 2 mm.

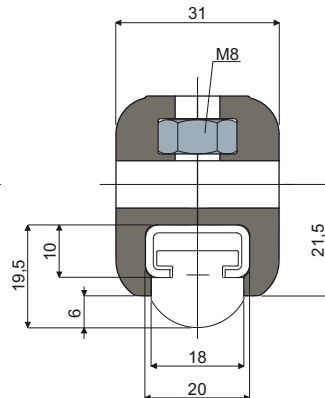
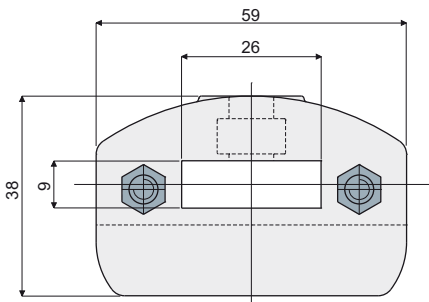
BOX QUANTITY: 24 pieces.

ON REQUEST:

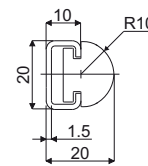
- Clamps: In reinforced polypropylene, other colours.
- Box Quantity: According to your request.

Guide rail clamp (for rectangular rails)

Part. **291**



Rail for this type of clamp



Code

291 / 82578

MATERIALS: Clamp made of reinforced polyamide black colour; screws and nuts made of stainless steel AISI 304.

FEATURES: Supplied assembled. To be used with flat profile with sizes 25x8 mm.

BOX QUANTITY: 24 pieces.

ON REQUEST:

- Clamps: In reinforced polypropylene, other colours.
- Box Quantity: According to your request.