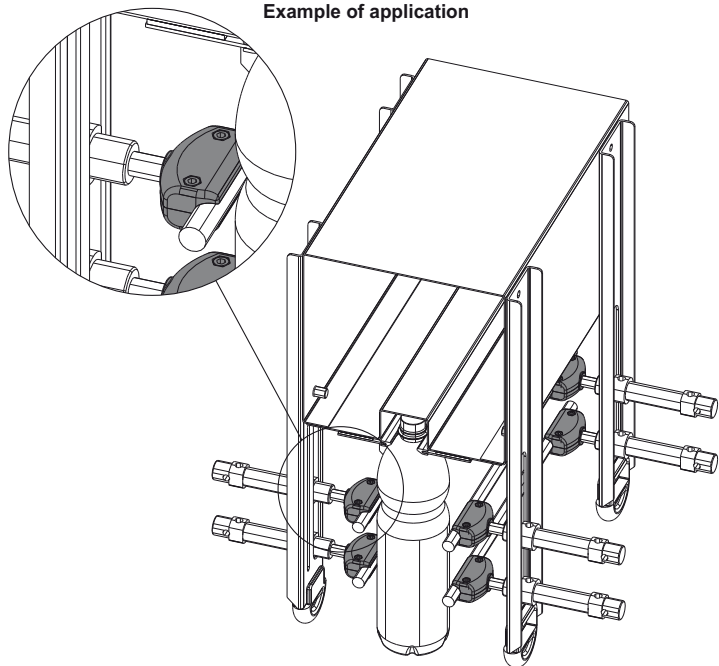


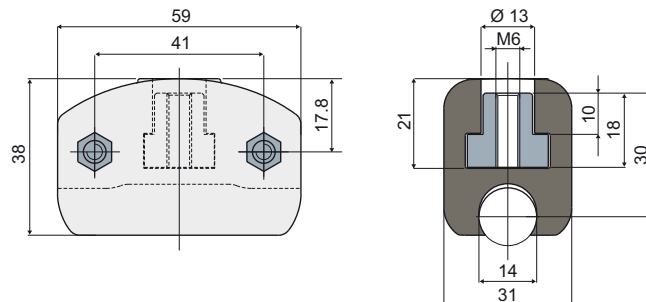
Guide rail clamps

Example of application



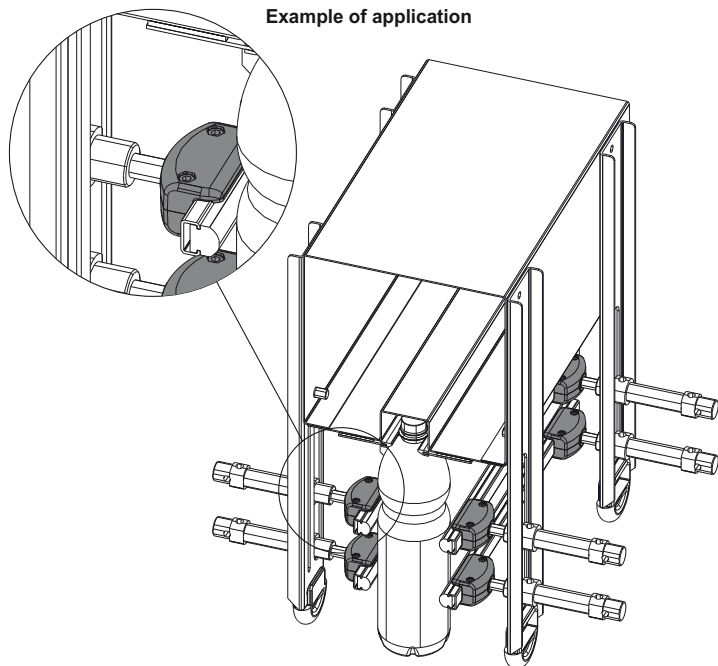
Guide rail clamp
(for round rails)

Part. **348**



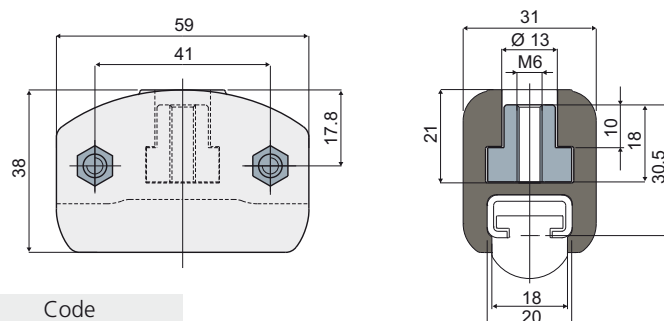
Code
348 / 83395

Example of application



Guide rail clamp
(for rectangular rails)

Part. **349**



Code
349 / 83396

MATERIALS: Clamp made of reinforced polyamide black colour; threaded insert in nickel plated brass; bolts and nuts in stainless steel AISI 304.

FEATURES: Designed appositely to be assembled directly on the pneumatic cylinder for the rails regulation. Supplied assembled.

BOX QUANTITY: 24 pieces.

ON REQUEST:

- Clamps: In reinforced polypropylene, other colours.
- Box Quantity: According to your request.