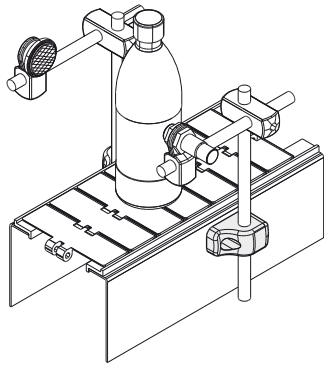
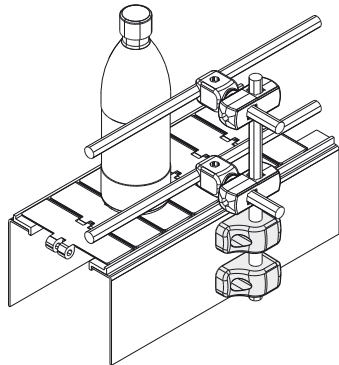


# Clamps



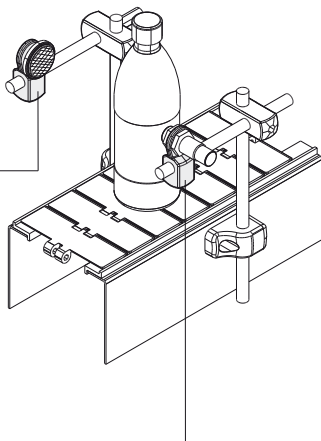
**With blocking pin**  
(Suitable to support photocells)



**Without blocking pin**  
(Suitable to support guide)

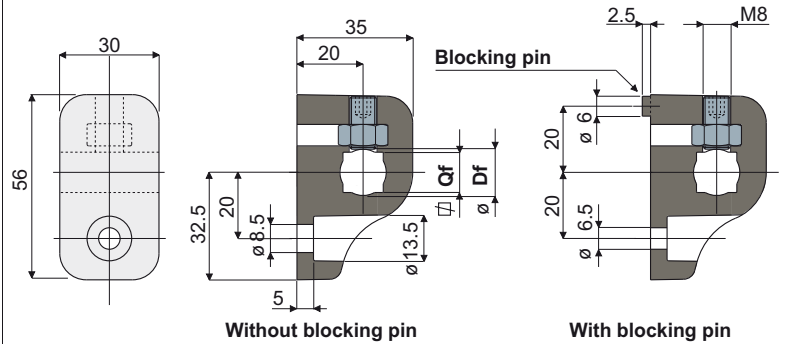
**Example of application**

**Type 2 (For reflectors)**



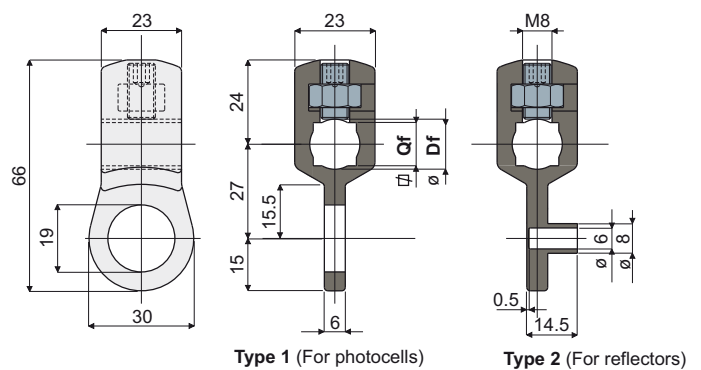
**Type 1 (For photocells)**

## Clamp Part. 237 (to support rails and photocells)



Bore for pin of		Without blocking pin	With blocking pin
Df round (mm)	Qf square (mm)	Code	Code
10	8	237 / 80958	237 / 80961
12	10	237 / 80959	237 / 80962
14	12	237 / 80960	237 / 80963

## Clamp support for photocells Part. 240 (for photocells and reflectors)



Bore for pin of		Type 1 (for photocells)	Type 2 (for reflectors)
Df round (mm)	Qf square (mm)	Code	Code
10	8	240 / 80996	240 / 80997
12	10	240 / 80998	240 / 80999
14	12	240 / 81000	240 / 81001

**MATERIALS:** Clamp made of reinforced polyamide black colour; screw and nuts made of stainless steel AISI 304.

**FEATURES:** This part can be used with round and square pins either.

**BOX QUANTITY:** 24 pieces.

**ON REQUEST:**

- Clamps: In reinforced polypropylene, other colours.
- Box Quantity: According to your request.