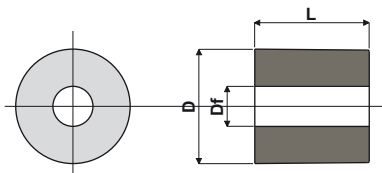


# Return rollers

## Part. 302 Spacer for chain profiles



Df Bore diameter (mm)	D (mm)	L (mm)	Code
7	20	20	302 / 82797
7	20	27,5	302 / 82873

**MATERIALS:** Spacer made of reinforced polyamide black colour.

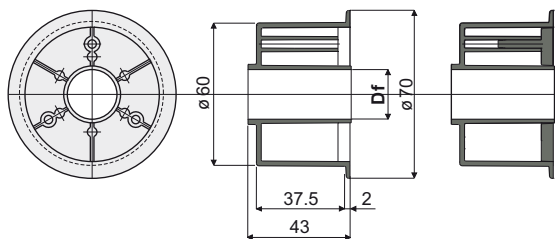
**FEATURES:** To be used as fixing spacer for chain profiles.

**BOX QUANTITY:** 96 pieces.

**ON REQUEST:**

- Spacers: With special bores and sizes.
- Box Quantity: According to your request.

## Part. 250 Roller for chain return (with flange)



Without cap closure

With cap closure

Df Bore for pin of (mm)	Without cap closure Code	With cap closure Code
15	250 / 82201	250 / 82219
16	250 / 82202	250 / 82220
18	250 / 82203	250 / 82221
20	250 / 82204	250 / 82222

**MATERIALS:** Roller made out of polyamide black colour; cap made out of polyamide grey colour.

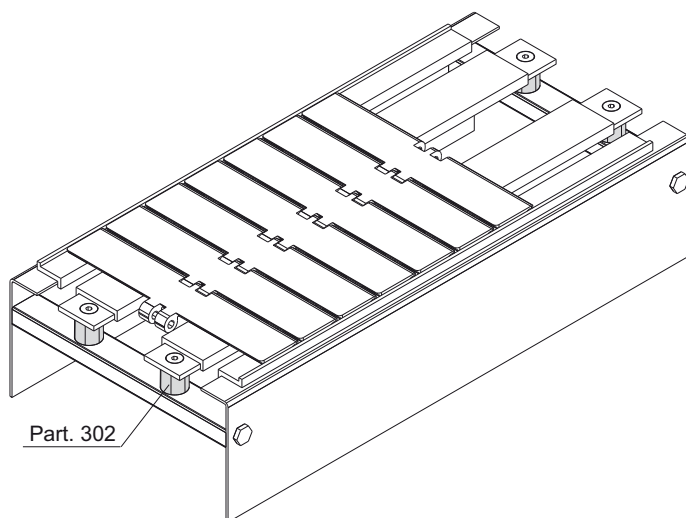
**FEATURES:** To be assembled in the chain return.

**BOX QUANTITY:** 96 pieces.

**ON REQUEST:**

- Rollers: Special bores, other colours.
- Box Quantity: According to your request.

### Example of application



### Example of application

