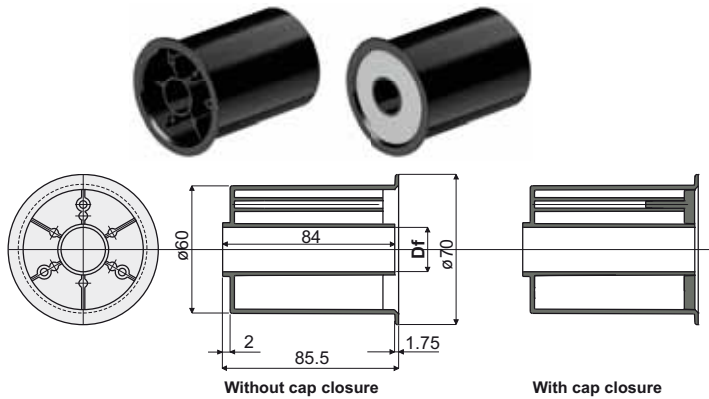


Return rollers

Part. 252 Roller for chain return (with flange)



Df Bore for pin of (mm)	Without cap closure		With cap closure	
	Code		Code	
12	252 / 82624		252 / 82625	
14	252 / 82258		252 / 82259	
15	252 / 82227		252 / 82231	
16	252 / 82228		252 / 82232	
18	252 / 82229		252 / 82233	
20	252 / 82230		252 / 82234	
25	252 / 83307		-	
30	252 / 83309		-	

MATERIALS: Roller made out of polyamide black colour; cap made out of polyamide grey colour.

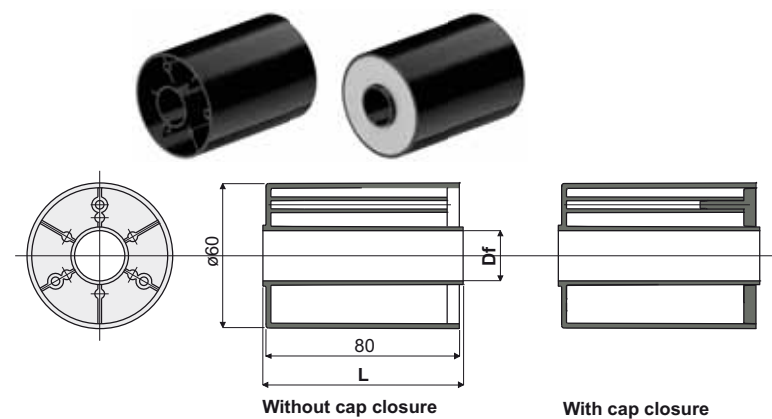
FEATURES: To be assembled in the chain return.

BOX QUANTITY: 48 pieces.

ON REQUEST:

- Rollers: Special bores, other colours.
- Box Quantity: According to your request.

Part. 253 Roller for chain return (without flange)



Df Bore for pin of (mm)	Without cap closure				With cap closure			
	L = 82 mm		L = 84 mm		L = 82 mm		L = 84 mm	
	Code		Code		Code		Code	
12	253 / 82626	253 / 82627	253 / 82628	253 / 82629				
14	253 / 82260	253 / 82261	253 / 82262	253 / 82263				
15	253 / 82235	253 / 82239	253 / 82243	253 / 82247				
16	253 / 82236	253 / 82240	253 / 82244	253 / 82248				
18	253 / 82237	253 / 82241	253 / 82245	253 / 82249				
20	253 / 82238	253 / 82242	253 / 82246	253 / 82250				
25	-	253 / 83313	-	-				
30	-	253 / 83314	-	-				

MATERIALS: Roller made out of polyamide black colour; cap made out of polyamide grey colour.

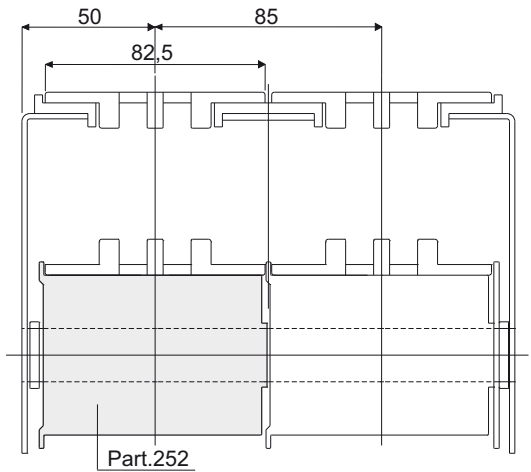
FEATURES: To be assembled in the chain return.

BOX QUANTITY: 48 pieces.

ON REQUEST:

- Rollers: Special bores, other colours.
- Box Quantity: According to your request.

Example of application



Example of application

