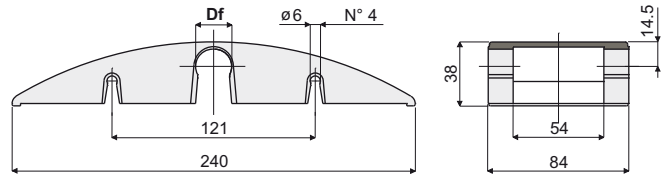
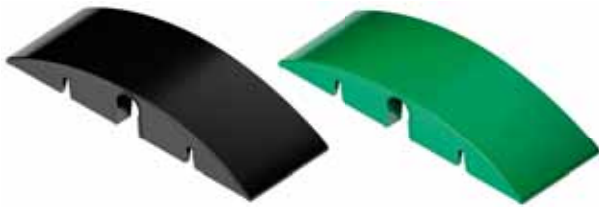


# Shoes

## Part. 267 Self-adjusting sliding shoe for chain return



| Df<br>Bore for pin of<br>(mm) | Polyamide (black colour) | Polyethylene (green colour) |
|-------------------------------|--------------------------|-----------------------------|
|                               | Code                     | Code                        |
| 18                            | 267 / 82038              | 267 / 82812                 |
| 20                            | 267 / 82039              | 267 / 82813                 |

**MATERIALS:** Sliding shoe is made of polyamide black colour or of polyethylene green colour.

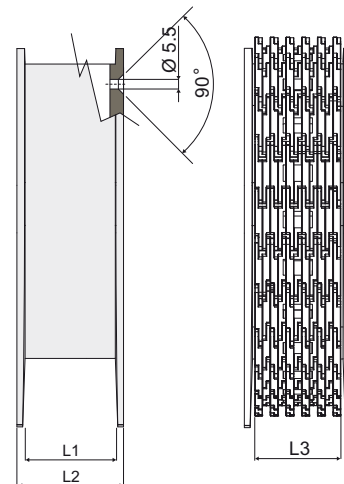
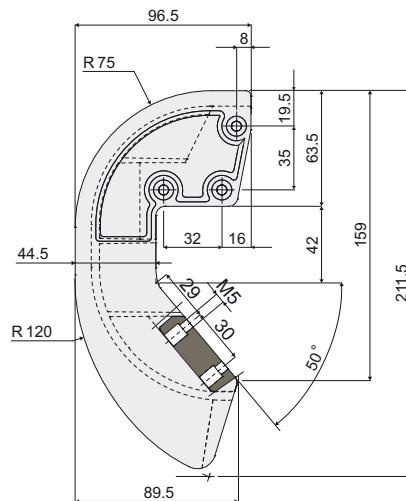
**FEATURES:** To be assembled in the chain return near to the sprocket. Snap-on assembly.

**BOX QUANTITY:** 12 pieces.

**ON REQUEST:**

- Sliding shoes: Other bore sizes, and colours.
- Box Quantity: According to your request.

## Part. 359 Shoe for chain return (for raised rib chains)



| Code        | L1 | L2   | L3 (Chain width) |
|-------------|----|------|------------------|
| 359 / 83504 | 41 | 50   | 38.5             |
| 359 / 83503 | 49 | 58.5 | 47               |

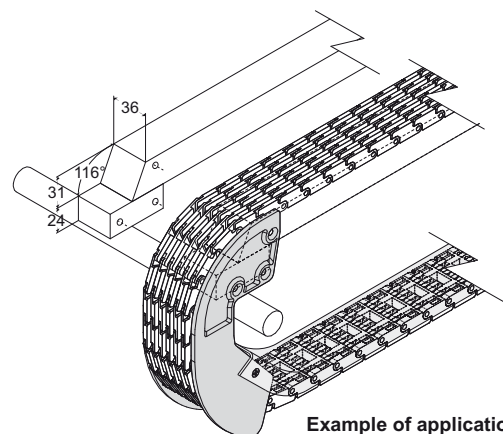
**MATERIALS:** Shoe in black polyethylene; screws in stainless steel AISI 304.

**FEATURES:** Supplied complete with screws. To be used in the idler part of the conveyor.

**BOX QUANTITY:** 8 pieces.

**ON REQUEST:**

- Shoes: Other colours.
- Box Quantity: According to your request



Example of application