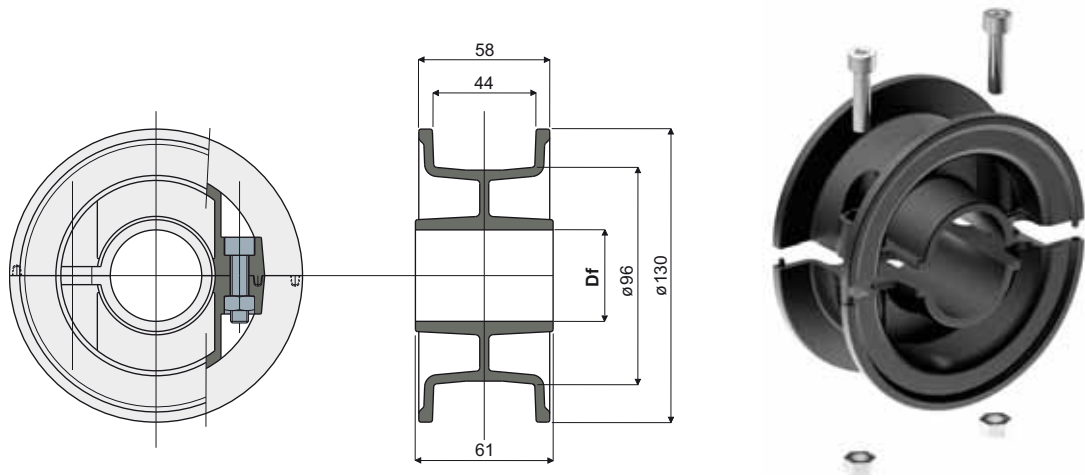


Idler wheels

Split idler wheel 21 teeth (for chains series 812-815-820-831)

Part. **311**



Df Bore for pin of (mm)	Code
25	311 / 82841
30	311 / 82842
35	311 / 82843
40	311 / 82844

MATERIALS: Wheel made of polyamide black colour; bolts and nuts made of stainless steel AISI 304.

FEATURES: Supplied assembled. To be used for chain return in the series 812, 815, 820, 831.

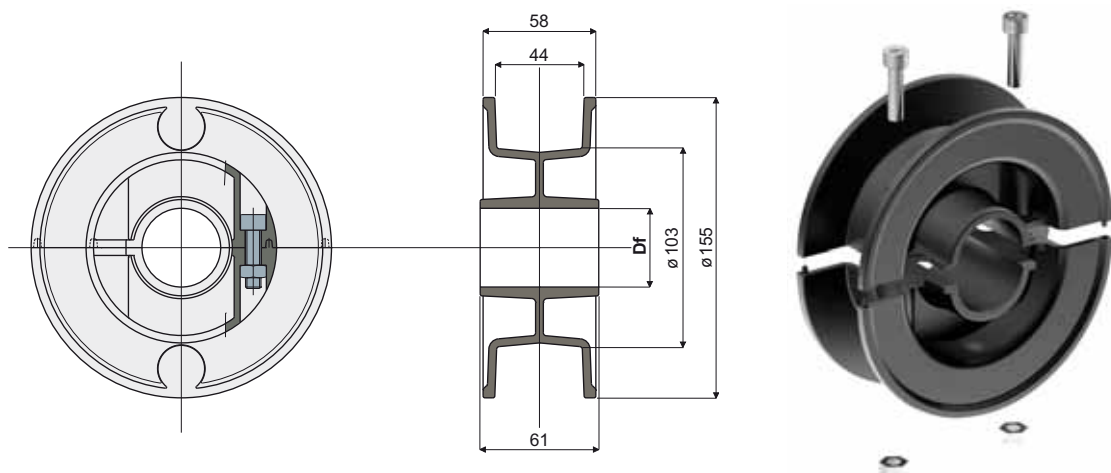
BOX QUANTITY: 12 pieces.

ON REQUEST:

- **Wheels:** With special bores, other colours.
- **Box Quantity:** According to your request.

Split idler wheel 25 teeth (for chains series 812-815-820-831)

Part. **285**



Df Bore for pin of (mm)	Code
25	285 / 82526
30	285 / 82528
35	285 / 82529
40	285 / 82530

MATERIALS: Wheel made of polyamide black colour; bolt and nuts made of stainless steel AISI 304.

FEATURES: Supplied assembled. To be used for chains Series 812, 815, 820, 831.

BOX QUANTITY: 12 pieces.

ON REQUEST:

- **Wheels:** With special bores, other colours, with customer brand.
- **Box Quantity:** According to your request.