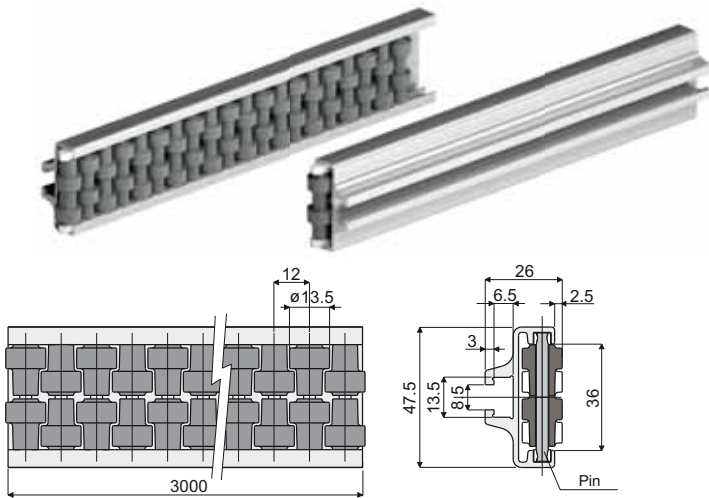


# Product guides and accessories

## Part. 355 Roller side guide (single type, with round rollers)



Pin in acetal resin	Pin in stainless steel AISI 304
Code	Code
355 / 83473	355 / 84557

**MATERIALS:** Roller side guide with metal profile in anodized aluminium; rollers in polyamide grey colour; support pins in acetal resin white colour or stainless steel AISI 304.

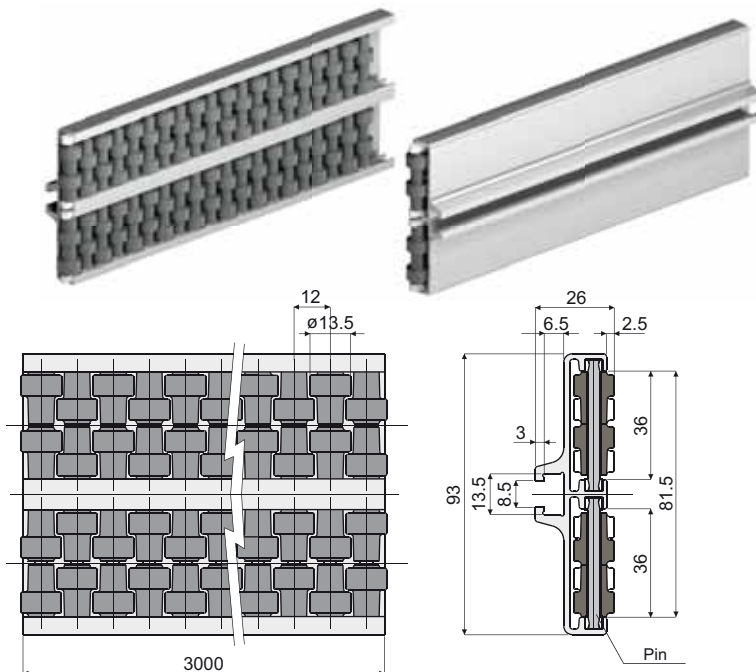
**FEATURES:** Supplied already assembled, in bars of 3 meters length. Min. curvature radius: 250 mm.

**BOX QUANTITY:** 2 bars of 3 meters (total 6 meters).

**ON REQUEST:**

- Roller side guide: Other colours.

## Part. 356 Roller side guide (double type, with round rollers)



Pin in acetal resin	Pin in stainless steel AISI 304
Code	Code
356 / 83474	356 / 84558

**MATERIALS:** Roller side guide with metal profile in anodized aluminium; rollers in polyamide grey colour; support pins in acetal resin white colour or stainless steel AISI 304.

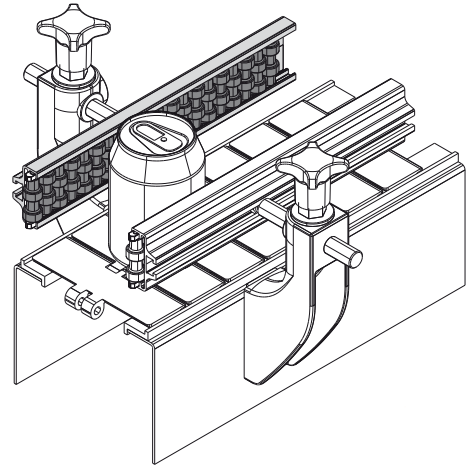
**FEATURES:** Supplied already assembled, in bars of 3 meters length. Min. curvature radius: 500 mm.

**BOX QUANTITY:** 2 bars of 3 meters (total 6 meters).

**ON REQUEST:**

- Roller side guide: Other colours.

Example of application



Example of application

