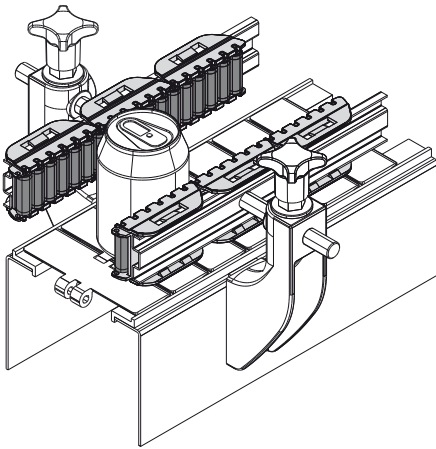


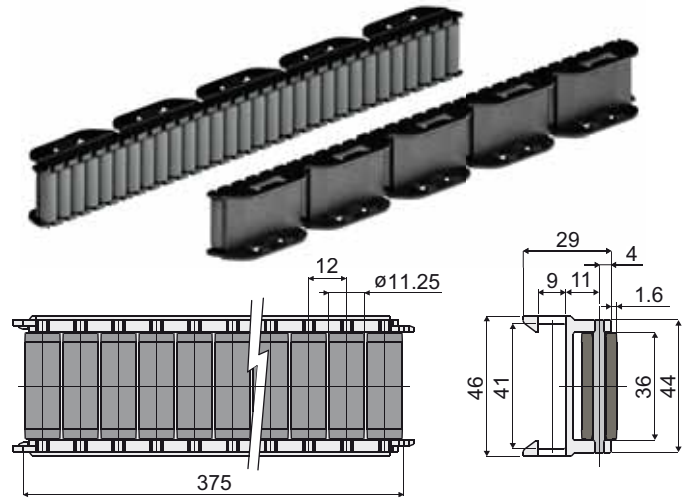
# Product guides and accessories

Example of application



**Roller side guide**  
(375 mm modules, with cylinders)

Part. **339**



Code  
339 / 83319

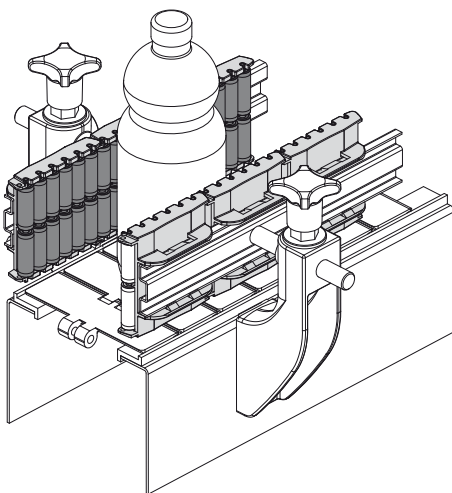
**MATERIALS:** Rollers in polyamide grey colour; support pins and modules in acetal resin black colour.  
**FEATURES:** Supplied already assembled, in modules of 375 mm length, for 40x8 mm plate. Min. curvature radius: ext = 500 mm; int. = 350 mm.

**BOX QUANTITY:** 12 pieces.

**ON REQUEST:**

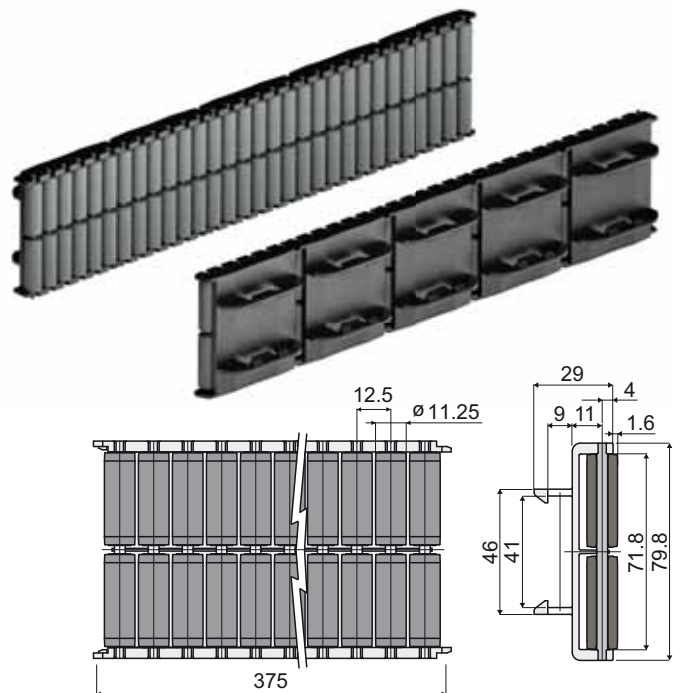
- Module and rollers: can be produced in other colours.
- Box quantity: According to your request.

Example of application



**Roller side guide**  
(double type 375 mm modules, with cylinders)

Part. **422**



Code  
422 / 84817

**MATERIALS:** Rollers in polyamide grey colour; support pins and modules in acetal resin black colour.  
**FEATURES:** Supplied already assembled, in modules of 375 mm length, for 40x8 mm plate. Min. curvature radius: ext = 500 mm; int. = 350 mm.

**BOX QUANTITY:** 12 pieces.

**ON REQUEST:**

- Module and rollers: Can be produced in other colours.
- Box quantity: According to your request.