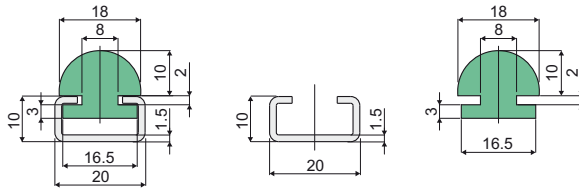


Product guides and accessories

Part. 373 Extruded product guide rails in 3-6 Mt. lengths



With profile and guide

Only profile

Only guide

Length	With profile and guide	
	Metal profile in zinc plated steel	Metal profile in stainless steel AISI 304
	Code	Code
3 Mt.	373 / 83732	373 / 83733
6 Mt.	373 / 83734	373 / 83735

Length	Only profile	
	Metal profile in zinc plated steel	Metal profile in stainless steel AISI 304
	Code	Code
3 Mt.	373 / 83879	373 / 84303

Length	Only guide
	Code
3 Mt.	373 / 83882

Materials: Extruded HMWPE green colour, metal profile in stainless steel AISI 304 or zinc plated.

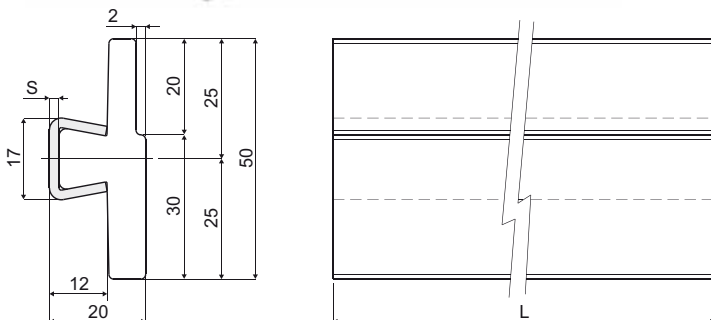
Standard Packing:

- 3 Mt. lengths version: This item is sold in Mt. - min. 6 Mt. (2 lengths);
- 6 Mt. lengths version: This item is sold in Mt. - min. 12 Mt. (2 lengths).

On request:

- Guide rails: Different colours and lengths.

Part. 353 Guide rail (with metal profile)



Code	S	L
353 / 84196	1,5	6000
353 / 84197	1,5	3000
353 / 83441	2	6000
353 / 83881	2	3000

MATERIALS: Plastic profile in polyethylene natural colour; metal profile in stainless steel AISI 304.

FEATURES: Supplied already assembled in lengths of 3 or 6 meters.

BOX QUANTITY: 2 bars of 6 mts. (total 12 mts.), or 2 bars of 3 mts. (total 6 mts.).

ON REQUEST:

- Box Quantity: According to your request.

Example of application

