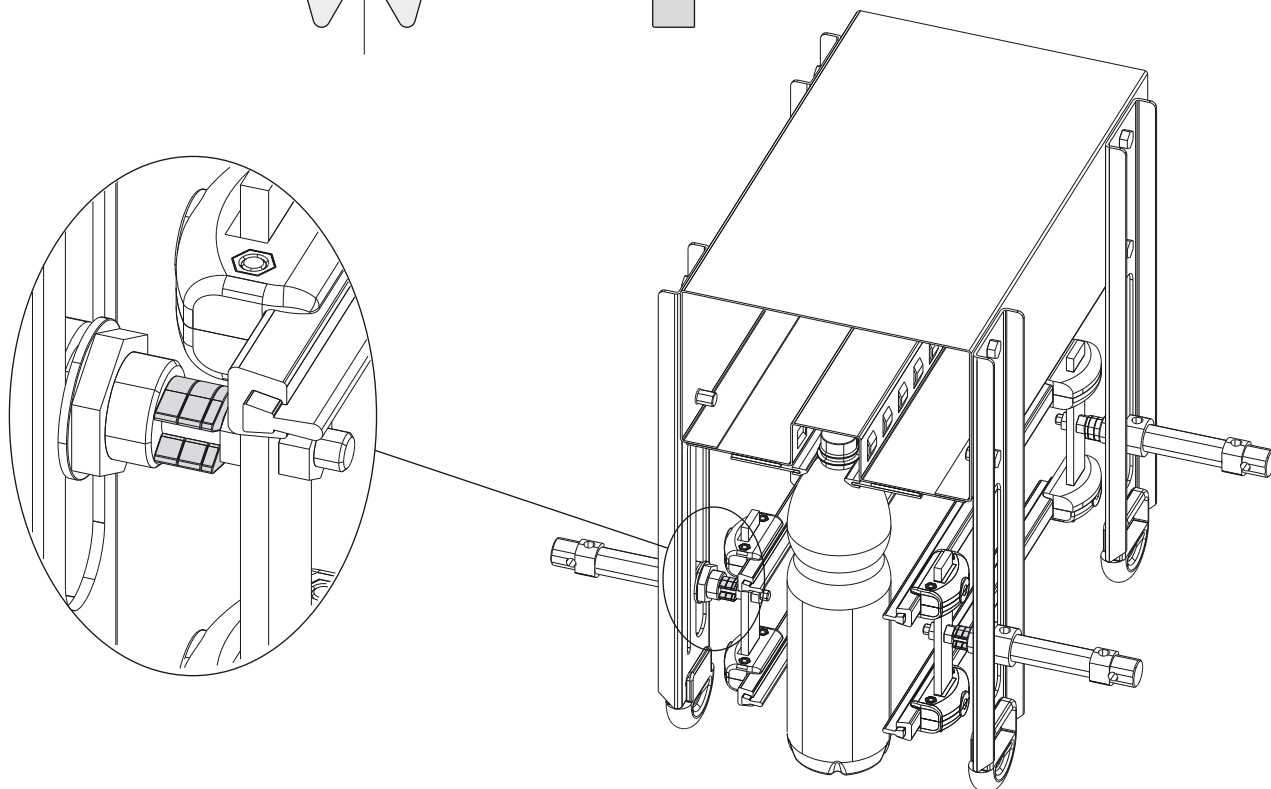
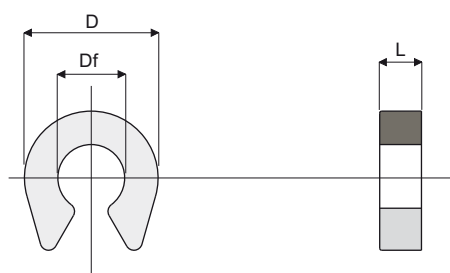


# Accessories for the cross adjustment of the side guides

## Spacer for rail-holder cylinder

Part. **316**



Example of application

Df Bore diameter (mm)	D (mm)	L (mm)	Code
8	16	2,5	316 / 82871
8	16	5	316 / 82872

**MATERIALS:** Spacer made of polyamide black colour.

**FEATURES:** To be used as spacer for the stroke regulation of rail-holder pneumatic cylinder.

**BOX QUANTITY:** 96 pieces.

**ON REQUEST:**

- Spacers: With special bores and sizes.
- Box Quantity: According to your request.