

Accessories for the cross adjustment of the side guides

Guide rail pin

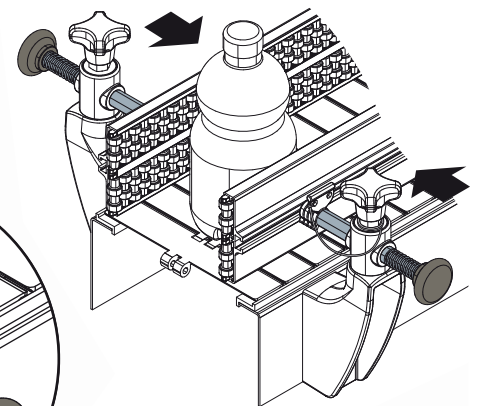
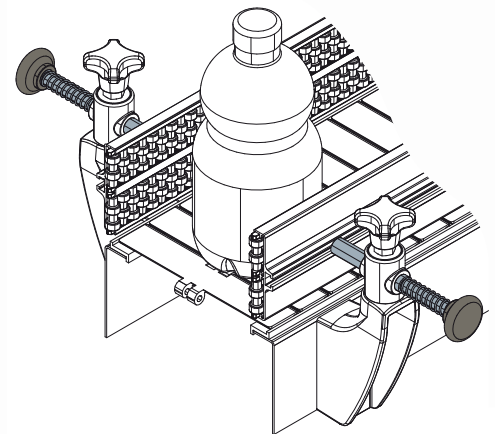
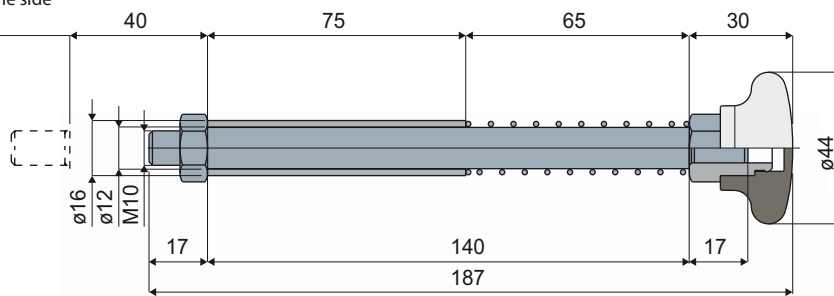
(for the quick adjustment of the side guides)

Part. **374**

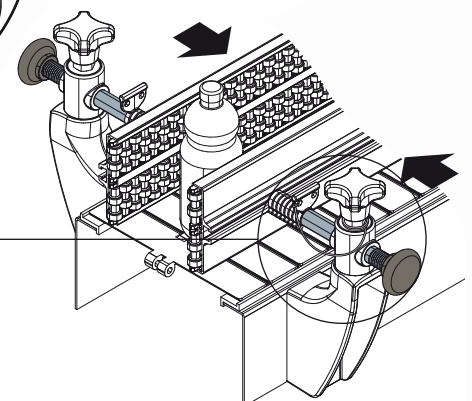
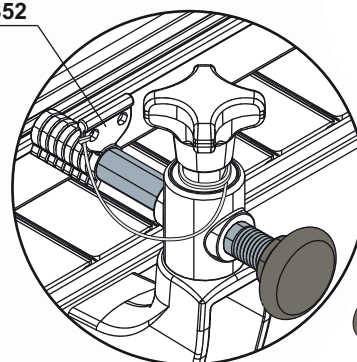


Example of application

Adjustment of the side guides stroke



Part.352



Code

374 / 83860

MATERIALS: Handle made of reinforced polyamide, black colour; pin, nut, spring and dinghy in stainless steel AISI 304; bushing in nickel plated brass.

FEATURES: To be used together with our Part.352, for the quick adjustment of the side guides.

BOX QUANTITY: 24 pieces.

ON REQUEST:

- Pins: In different lengths.
- Box quantity: According to your request.