



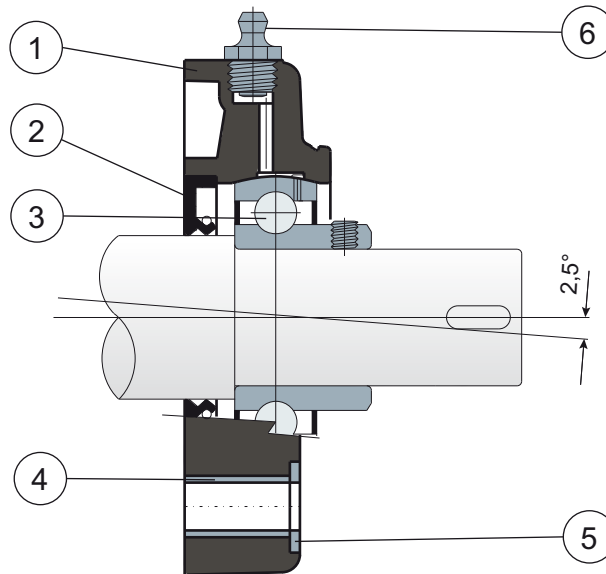
Square flanged bearing supports

Serie **UCF/CS**

Serie **MUCF/CS**



Back gasket for shouldered shaft



- 1) Support body made out of polyamide reinforced with glass fibers.
- 2) Back gasket made out of NBR rubber for turning shaft seal.
- 3) Chrome steel or stainless steel bearing AISI 440C.
- 4) Spacer for fixing reinforcement made out of stainless steel AISI 304.
- 5) UNI 6592 support washer made out of stainless steel AISI 304.
- 6) Greaser for relubrication made out of nickel-plated brass.

Support dimensions respect ISO 3228 set of rules.

Maximum shaft alignment error 2,5°

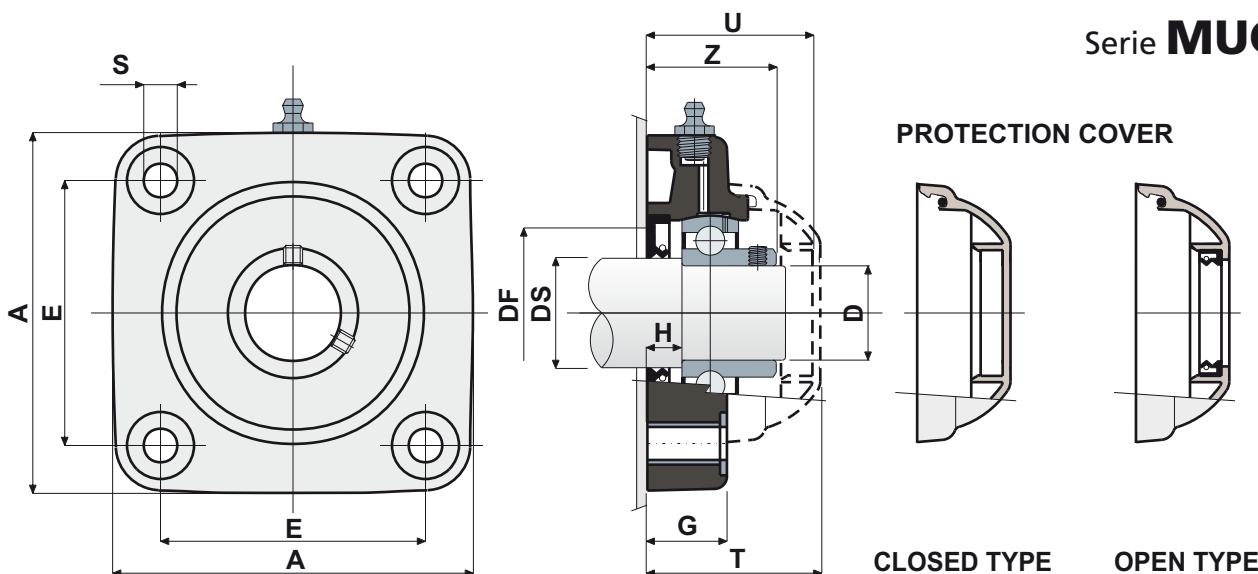
For further information please contact our technical office or sales department.



Square flanged bearing supports

Technical data

Serie **UCF/CS**
Serie **MUCF/CS**



CHROME STEEL BEARING																			
DS	D	SERIES	Support CODES	DIMENSIONS (mm)										Bearing load (N)		Bearing support load (N)	COVER CODES		
				E	A	S	G	H	Z	U	T	DF		C	C0		Closed type	Open type	
25	20	UCF 204 CS	80260	63,5	90	10,5	19	8,5	33,5	44	46,5	45	40	12800	6600	16500	80254	80255	
30	25	UCF 205 CS	80178	70	99	10,5	22	10	36	47	49	50	45	14000	7800	17000	80075	80076	
35	30	UCF 206 CS	80179	83	113	10,5	26	11,5	41	54	56	60	50	19500	11300	17500	80011	80053	
35	30	MUCF 206 CS	84045	83	113	10,5	26	11,5	41	65	68	60	50	19500	11300	17500	80256	80494	
40	35	UCF 207 CS	80180	92	122	10,5	26	10,5	45	57	59	70	55	25500	15300	18000	80077	80078	
40	35	MUCF 207 CS	84046	92	122	10,5	26	10,5	45	65	68	70	55	25500	15300	18000	80256	80257	
45	40	UCF 208 CS	80261	102	133	10,5	26	9	48,5	65	68	78	65	32500	19800	18000	80256	80257	
45	40	MUCF 208 CS	80713	83	113	10,5	26	9	48,5	65	68	78	65	32500	19800	18000	80256	80257	

STAINLESS STEEL BEARING AISI 440C																			
DS	D	SERIES	Support CODES	DIMENSIONS (mm)										Bearing load (N)		Bearing support load (N)	COVER CODES		
				E	A	S	G	H	Z	U	T	DF		C	C0		Closed type	Open type	
25	20	UCF 204 CS	83520	63,5	90	10,5	19	8,5	33,5	44	46,5	45	40	12800	6600	16500	80254	80255	
30	25	UCF 205 CS	84146	70	99	10,5	22	10	36	47	49	50	45	14000	7800	17000	80075	80076	
35	30	UCF 206 CS	83829	83	113	10,5	26	11,5	41	54	56	60	50	19500	11300	17500	80011	80053	
40	35	UCF 207 CS	84147	92	122	10,5	26	10,5	45	57	59	70	55	25500	15300	18000	80077	80078	
45	40	UCF 208 CS	80322	102	133	10,5	26	9	48,5	65	68	78	65	32500	19800	18000	80256	80257	
45	40	MUCF 208 CS	83828	83	113	10,5	26	9	48,5	65	68	78	65	32500	19800	18000	80256	80257	

MATERIALS: Support made out of PA + glass fiber black colour; chrome steel bearing; greaser made out of nickel plated brass; reinforcement bushings and washers made out of stainless steel AISI 304; gaskets made out of NBR rubber; cover made out of polypropylene, grey colour RAL 7042.

FEATURES: Back gasket for shouldered shafts. Use of shouldered shafts allows a higher capability of axial load. Maximum shaft alignment error 2.5°.

BOX QUANTITY: 8 pieces.

ON REQUEST: Versions with body in polypropylene + glass fiber and antibacterial additive (external body in white color); protection cover in different colors and with customised brand; box quantity according to your request.



Self-aligning bearings with Solid body: completely closed surface to guarantee the max hygiene.