

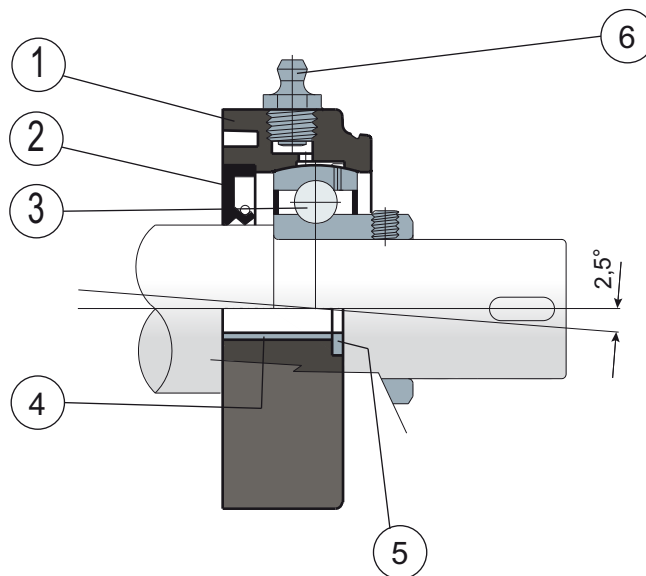


# Oval flanged bearing supports

Serie **UCFL/CS**



Back gasket for shouldered shaft



- 1) Support body made out of polyamide reinforced with glass fibers.
- 2) Back gasket made out of NBR rubber for turning shaft seal.
- 3) Chrome steel or stainless steel bearing AISI 440C.
- 4) Spacer for fixing reinforcement made out of stainless steel AISI 304.
- 5) UNI 6592 support washer made out of stainless steel AISI 304.
- 6) Greaser for relubrication made out of nickel-plated brass.

Support dimensions respect ISO 3228 set of rules.

Maximum shaft alignment error 2,5°

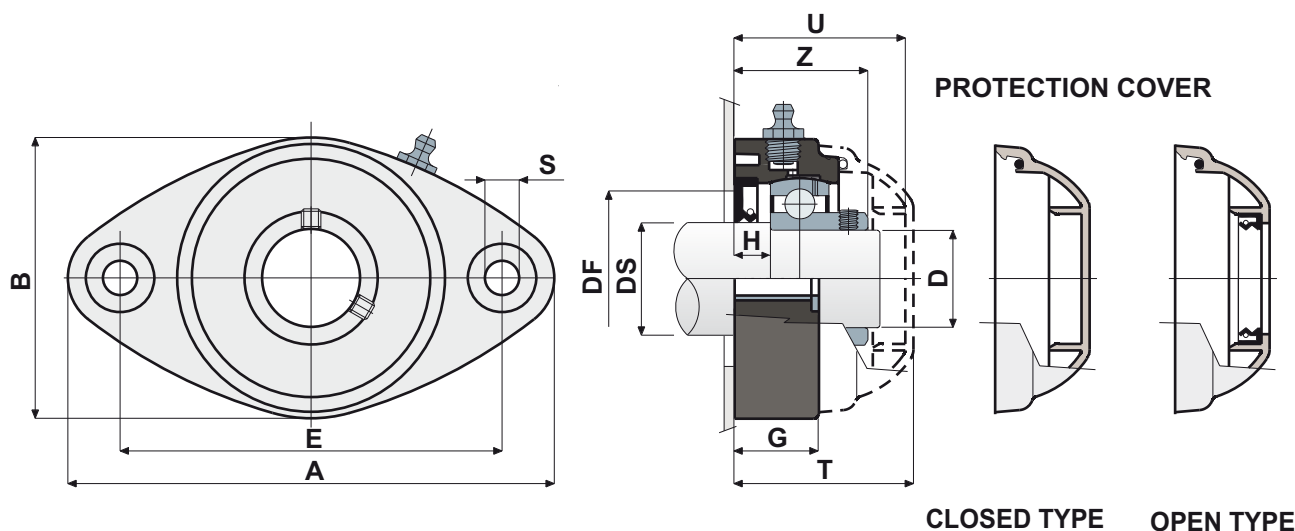
For further information please contact our technical office or sales department.



# Oval flanged bearing supports

Technical data

Serie **UCFL/CS**



CHROME STEEL BEARING																			
DS	D	SERIES	Support CODES	DIMENSIONS (mm)											Bearing load (N)		Bearing support load (N)	COVER CODES	
				E	A	B	S	G	H	Z	U	T	DF		C	C0		Closed type	Open type
25	20	UCFL 204 CS	80266	90	118	64	10,5	19	8,5	33,5	44	46,5	45	40	12800	6600	8500	80254	80255
30	25	UCFL 205 CS	80184	99	131	72	10,5	22	10	36	47	49	50	45	14000	7800	10000	80075	80076
35	30	UCFL 206 CS	80185	117	149	86	10,5	26	11,5	41	54	56	60	50	19500	11300	13000	80011	80053
40	35	UCFL 207 CS	80186	130	163	94	10,5	26	10,5	45	57	59	70	55	25500	15300	14000	80077	80078

STAINLESS STEEL BEARING AISI 440C																			
DS	D	SERIES	Support CODES	DIMENSIONS (mm)											Bearing load (N)		Bearing support load (N)	COVER CODES	
				E	A	B	S	G	H	Z	U	T	DF		C	C0		Closed type	Open type
25	20	UCFL 204 CS	84148	90	118	64	10,5	19	8,5	33,5	44	46,5	45	40	12800	6600	8500	80254	80255
30	25	UCFL 205 CS	83907	99	131	72	10,5	22	10	36	47	49	50	45	14000	7800	10000	80075	80076
35	30	UCFL 206 CS	80523	117	149	86	10,5	26	11,5	41	54	56	60	50	19500	11300	13000	80011	80053
40	35	UCFL 207 CS	84150	130	163	94	10,5	26	10,5	45	57	59	70	55	25500	15300	14000	80077	80078

**MATERIALS:** Support made out of PA + glass fiber black colour; chrome steel bearing; greaser made out of nickel plated brass; reinforcement bushings and washers made out of stainless steel AISI 304; gaskets made out of NBR rubber; cover made out of polypropylene, grey colour RAL 7042.

**FEATURES:** Back gasket for shouldered shafts. Use of shouldered shafts allows a higher capability of axial load. Maximum shaft alignment error 2.5°.

**BOX QUANTITY:** 8 pieces.

**ON REQUEST:** Versions with body in polypropylene + glass fiber and antibacterial additive (external body in white color); protection cover in different colors and with customised brand; box quantity according to your request.