



Side flanged bearing supports

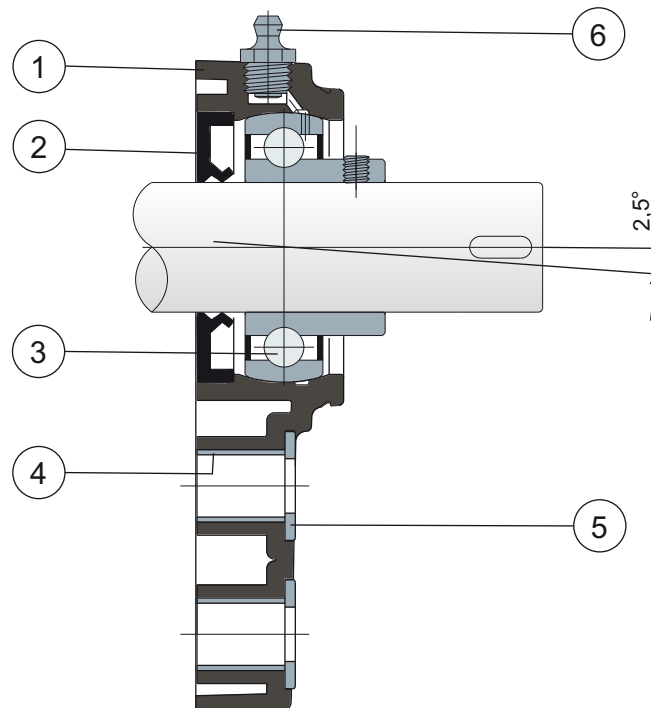
Serie **UCFB/CX**



NEW

New product line with support body in PA white colour.

Without protection cover



- 1) Support body made out of black or white polyamide reinforced with glass fibers.
- 2) Back gasket made out of NBR rubber for turning shaft seal.
- 3) Chrome steel or stainless steel bearing AISI 440C.
- 4) Spacer for fixing reinforcement made out of stainless steel AISI 304.
- 5) UNI 6592 support washer made out of stainless steel AISI 304.
- 6) Greaser for relubrication made out of nickel-plated brass.

NOTE: The only difference from UCFB/C series is lack of protection cover, which can be ordered separately as an accessory.

Maximum shaft alignment error 2,5°

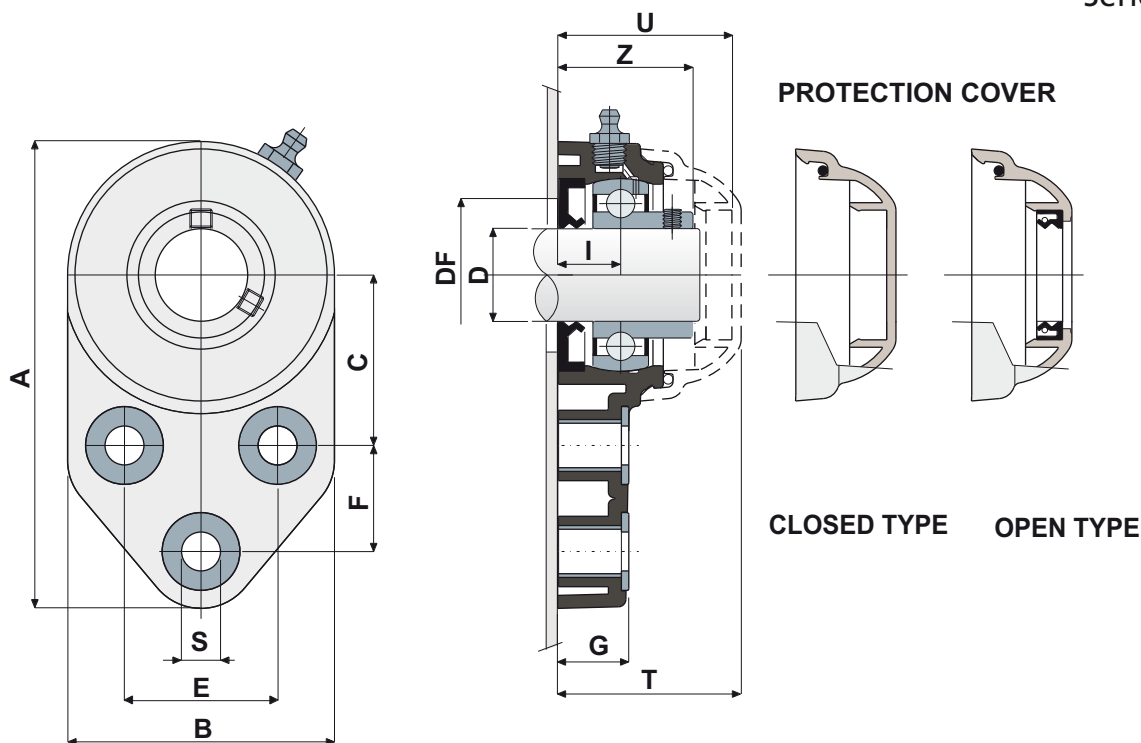
For further information please contact our technical office or sales department.



Side flanged bearing supports

Technical data

Serie **UCFB/CX**



CHROME STEEL BEARING																					
D	SERIE	Support CODES		DIMENSIONS (mm)											DF		Bearing load (N)		Bearing support load	COVER CODES	
		Black colour	White colour	E	A	B	C	F	S	G	I	Z	U	T	Max	Min	C	C0	(N)	Closed type	Open type
20	UCFB 204 CX	83023	84738	41,3	126	72	46	28,6	10,5	19	18	36	47	49,5	45	40	12800	6600	8500	80254	80255
25	UCFB 205 CX	82772	84739	41,3	126	72	46	28,6	10,5	19	17	36,5	47	49,5	50	45	14000	7800	9000	80075	80076
30	UCFB 206 CX	84056	84740	47,6	142	85	52,4	32	10,5	26,3	20,7	41,7	53,2	55,7	60	50	19500	11300	11000	80011	80053
35	UCFB 207 CX	84057	84741	51	155	94	60,5	32	10,5	26,3	20	45,3	56,5	59	70	55	25500	15300	13000	80077	80078
40	UCFB 208 CX	82478	84742	50	165	100	60,5	41	10,5	26,3	19,5	48,5	65,5	68	78	65	32500	19800	18000	80256	80257

STAINLESS STEEL BEARING AISI 440C																					
D	SERIE	Support CODES		DIMENSIONS (mm)											DF		Bearing load (N)		Bearing support load	COVER CODES	
		Black colour	White colour	E	A	B	C	F	S	G	I	Z	U	T	Max	Min	C	C0	(N)	Closed type	Open type
20	UCFB 204 CX	83039	84743	41,3	126	72	46	28,6	10,5	19	18	36	47	49,5	45	40	8300	6550	8500	80254	80255
25	UCFB 205 CX	82776	84744	41,3	126	72	46	28,6	10,5	19	17	36,5	47	49,5	50	45	9150	7800	9000	80075	80076
30	UCFB 206 CX	84058	84745	47,6	142	85	52,4	32	10,5	26,3	20,7	41,7	53,2	55,7	60	50	12500	11200	11000	80011	80053
35	UCFB 207 CX	84059	84746	51	155	94	60,5	32	10,5	26,3	20	45,3	56,5	59	70	55	16600	15300	13000	80077	80078
40	UCFB 208 CX	83041	84747	50	165	100	60,5	41	10,5	26,3	19,5	48,5	65,5	68	78	65	20000	19000	18000	80256	80257

VERSIONS WITH MEASURES IN INCHES

CHROME STEEL BEARING																					
D (inches) (mm)	SERIE	Support CODES		DIMENSIONS (mm)											DF		Bearing load (N)		Bearing support load	COVER CODES	
		Black colour	White colour	E	A	B	C	F	S	G	I	Z	U	T	Max	Min	C	C0	(N)	Closed type	Open type
1" 25,4	UCFB 205 CX	84527	84915	41,3	126	72	46	28,6	10,5	19	17	36,5	47	49,5	50	45	14000	7800	9000	80075	80076
1" 1/4 31,75	UCFB 206 CX	84528	84916	47,6	142	85	52,4	32	10,5	26,3	20,7	41,7	53,2	55,7	60	50	19500	11300	11000	80011	80053

MATERIALS: Support made out of black or white PA + glass fiber; chrome steel or stainless steel bearing; greaser made out of nickel plated brass; reinforcement bushings and washers made out of stainless steel AISI 304; gaskets made out of NBR rubber; cover made out of polypropylene, grey colour RAL 7042.

FEATURES: The difference from UCFB/C series is lack of protection cover which can be ordered separately as an accessory. Assembly with not shouldered shafts. Maximum shaft alignment error 2.5°.

BOX QUANTITY: 8 pieces.

ON REQUEST: Versions with body in polypropylene + glass fiber and antibacterial additive; protection cover in different colors and with customized brand; box quantity according to your request; Viton gaskets, "Long life" bearings.