



## Side flanged bearing supports

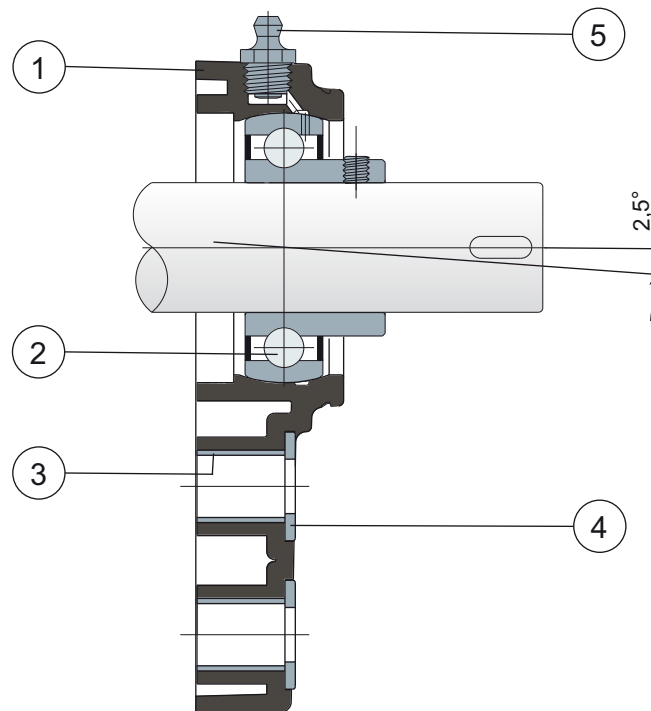
Serie **UCFB**



**NEW**

*New product line with support body in PA white colour.*

Without cover and back gasket



- 1) Support body made out of black or white polyamide reinforced with glass fibers.
- 2) Chrome steel or stainless steel bearing AISI 440C.
- 3) Spacer for fixing reinforcement made out of stainless steel AISI 304.
- 4) UNI 6592 support washer made out of stainless steel AISI 304.
- 5) Greaser for relubrication made out of nickel-plated brass.

NOTE: The only difference from UCFB/C series is lack of back gasket and protection cover, which can be ordered separately as accessories.

Support dimensions respect ISO 3228 set of rules.

Maximum shaft alignment error 2,5°

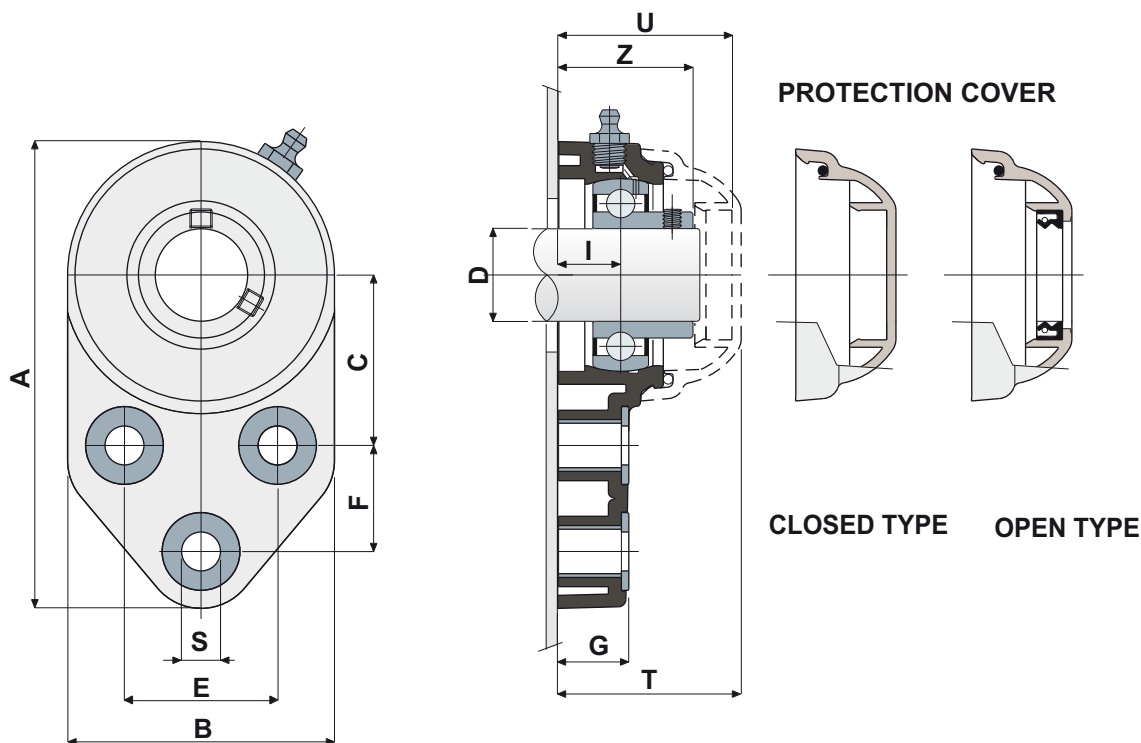
For further information please contact our technical office or sales department.



# Side flanged bearing supports

Technical data

Serie **UCFB**



CHROME STEEL BEARING																					
D	SERIE	Support CODES		DIMENSIONS (mm)											DF		Bearing load (N)		Bearing support load	COVER CODES	
		Black colour	White colour	E	A	B	C	F	S	G	I	Z	U	T	Max	Min	C	C0	(N)	Closed type	Open type
20	UCFB 204	83025	84748	41,3	126	72	46	28,6	10,5	19	18	36	47	49,5	12800	6600	8500	80254	80255	80254	80255
25	UCFB 205	82773	84749	41,3	126	72	46	28,6	10,5	19	17	36,5	47	49,5	14000	7800	9000	80075	80076	80075	80076
30	UCFB 206	84060	84750	47,6	142	85	52,4	32	10,5	26,3	20,7	41,7	53,2	55,7	19500	11300	11000	80011	80053	80011	80053
35	UCFB 207	84061	84751	51	155	94	60,5	32	10,5	26,3	20	45,3	56,5	59	25500	15300	13000	80077	80078	80077	80078
40	UCFB 208	83029	84752	50	165	100	60,5	41	10,5	26,3	19,5	48,5	65,5	68	32500	19800	18000	80256	80257	80256	80257

STAINLESS STEEL BEARING AISI 440C																					
D	SERIE	Support CODES		DIMENSIONS (mm)											DF		Bearing load (N)		Bearing support load	COVER CODES	
		Black colour	White colour	E	A	B	C	F	S	G	I	Z	U	T	Max	Min	C	C0	(N)	Closed type	Open type
20	UCFB 204	83042	84753	41,3	126	72	46	28,6	10,5	19	18	36	47	49,5	8300	6550	8500	80254	80255	80254	80255
25	UCFB 205	82777	84754	41,3	126	72	46	28,6	10,5	19	17	36,5	47	49,5	9150	7800	9000	80075	80076	80075	80076
30	UCFB 206	84062	84755	47,6	142	85	52,4	32	10,5	26,3	20,7	41,7	53,2	55,7	12500	11200	11000	80011	80053	80011	80053
35	UCFB 207	84063	84756	51	155	94	60,5	32	10,5	26,3	20	45,3	56,5	59	16600	15300	13000	80077	80078	80077	80078
40	UCFB 208	83044	84757	50	165	100	60,5	41	10,5	26,3	19,5	48,5	65,5	68	20000	19000	18000	80256	80257	80256	80257

## VERSIONS WITH MEASURES IN INCHES

CHROME STEEL BEARING																					
D (inches) (mm)	SERIE	Support CODES		DIMENSIONS (mm)											DF		Bearing load (N)		Bearing support load	COVER CODES	
		Black colour	White colour	E	A	B	C	F	S	G	I	Z	U	T	Max	Min	C	C0	(N)	Closed type	Open type
1" 25,4	UCFB 205	84529	84919	41,3	126	72	46	28,6	10,5	19	17	36,5	47	49,5	14000	7800	9000	80075	80076	80075	80076
1" 1/4 31,75	UCFB 206	84530	84920	47,6	142	85	52,4	32	10,5	26,3	20,7	41,7	53,2	55,7	19500	11300	11000	80011	80053	80011	80053

**MATERIALS:** Support made out of black or white colour PA + glass fiber; chrome steel or stainless steel bearing; greaser made out of nickel plated brass; reinforcement bushings and washers made out of stainless steel AISI 304; gaskets made out of NBR rubber; cover made out of polypropylene, grey colour RAL 7042.

**FEATURES:** The difference from UCFB/C series is lack of back gasket and protection cover, which can be ordered separately as accessories. Assembly with shouldered and not shouldered shafts. Maximum shaft alignment error 2.5°.

**BOX QUANTITY:** 8 pieces.

**ON REQUEST:** Versions with body in polypropylene + glass fiber and antibacterial additive; protection cover in different colors and with customized brand; box quantity according to your request; Viton gaskets, "Long life" bearings.